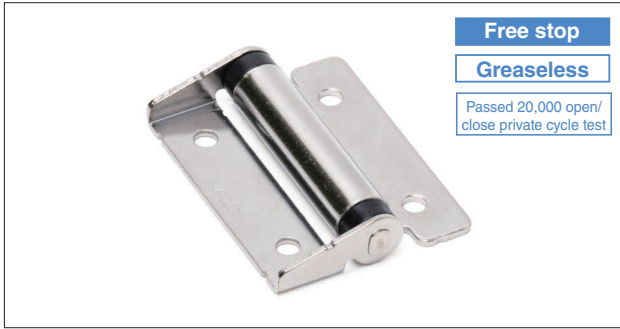


TORQUE HINGE HG-TP



- A combination of plastic and metal is used for friction in order to prevent metallic dust caused by metal to metal contact.

[Specifications]

- Operating temperature: -10°C~40°C
- Can be used in both vertical and horizontal directions.

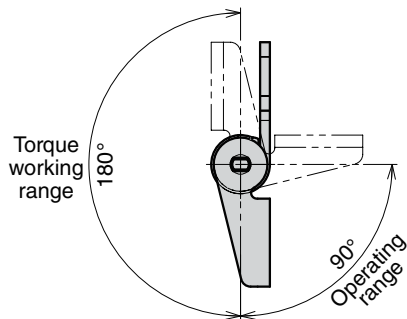
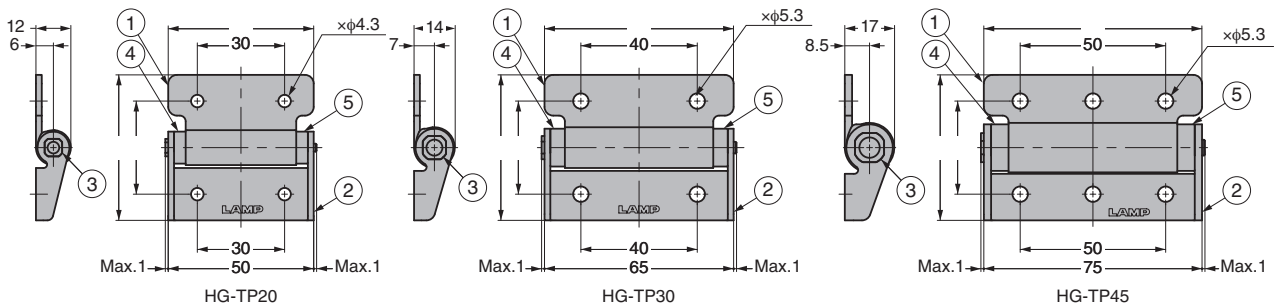
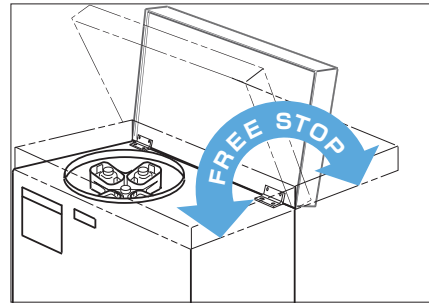
[Applications]

- Stereo equipment, FA equipment, and various automatic equipment

[Remarks]

- Be sure to read the "Cautions" **1**.
- Ensure that hinge shafts are leveled and aligned.
- Install a lid to the bracket A.

[Application Example]



No.	Part Name	Material	Finish / Colour
①	Bracket A	Stainless Steel (SUS304)	Barrel Polished
②	Bracket B		
③	Shaft	Stainless Steel (SUS303)	—
④	Plug	POM	Black
⑤	Washer		

Selection Tool
Sasuga-kun
 Applicable Products
 Used for Product Selection & Simulation.
 Available on Web!

RoHS	CAD	Item Code	Item Name	Torque N.m/pc	Torque kgf.cm/pc	Weight (g)	Box (pc)	Carton (pc)
		170-043-653	HG-TP20	2 ^{±25%}	20.3 ^{±25%}	60	50	200
		170-043-654	HG-TP30	3 ^{±25%}	30.5 ^{±25%}	90	25	100
		170-043-655	HG-TP45	4.5 ^{±25%}	45.8 ^{±25%}	150	25	100

Refer to **1** : No.280 P.15