



Lateral Door
Opening Systems
Catalogue

No.288A



MONOFLAT LIN-X HINGE For Heavy Duty Door

LIN-X1000









MONOFLAT LIN-X HINGE

LIN-X800

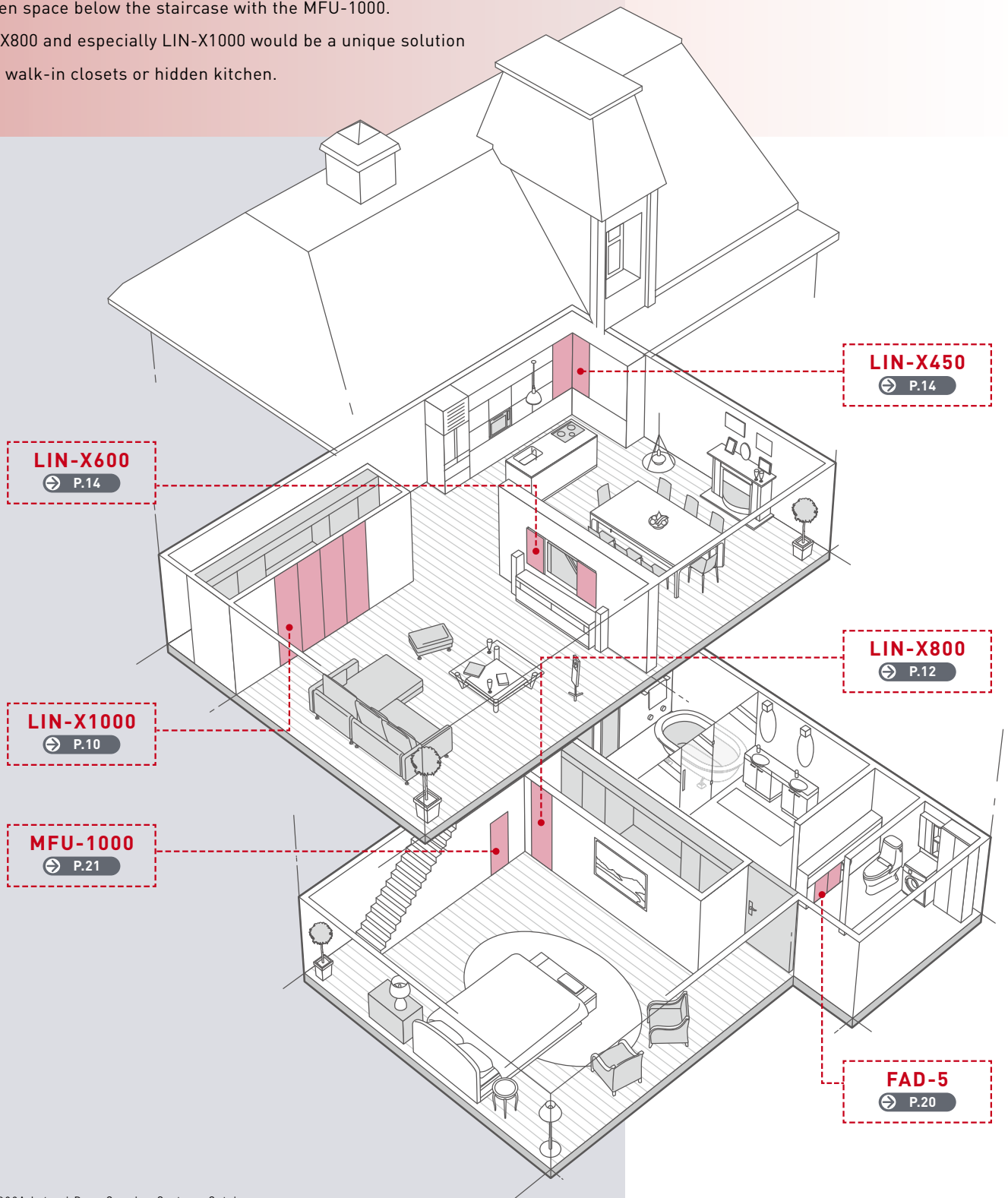
Residential:

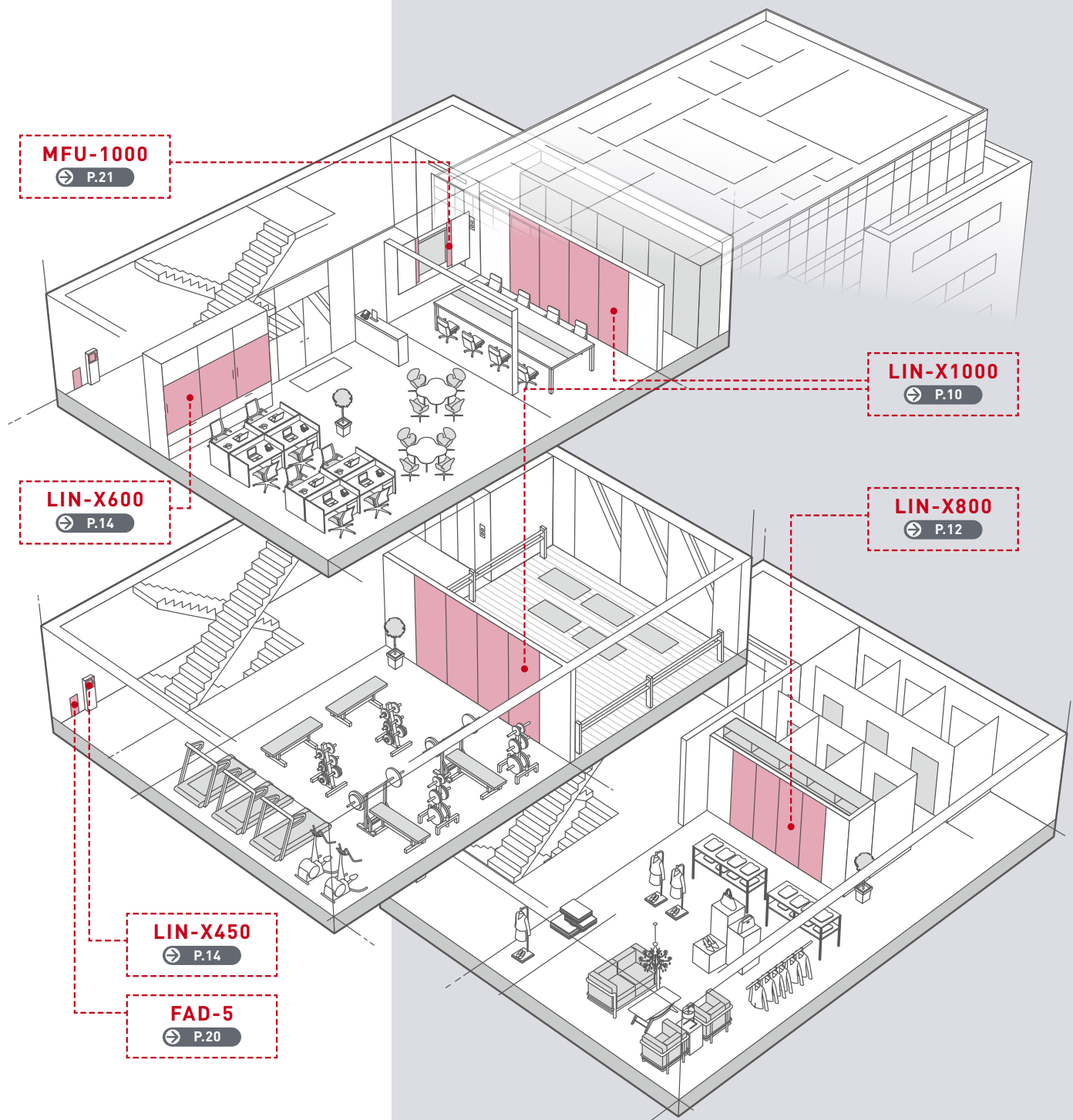
The Monoflat series is ideal for residential applications as it allows for the intelligent use of the often limited storage space, as well as offers an original design alternative to traditional solutions.

Whereas FAD-5 is usually suited for very small cabinets found in the bathroom, LIN-X450 is perfect for a full use of your kitchen corner.

You can combine two LIN-X600 to hide a TV screen when not used, or create a hidden space below the staircase with the MFU-1000.

LIN-X800 and especially LIN-X1000 would be a unique solution for a walk-in closets or hidden kitchen.





■ ■ Office and commercial:

In the commercial or office environment as well, efficient use of the space and presentation is of utmost concern.

FAD-5 is a great solution for fire extinguisher, and LIN-X450 for AED.

LIN-X600 is ideal for file storage as the doors are not in the way when open.

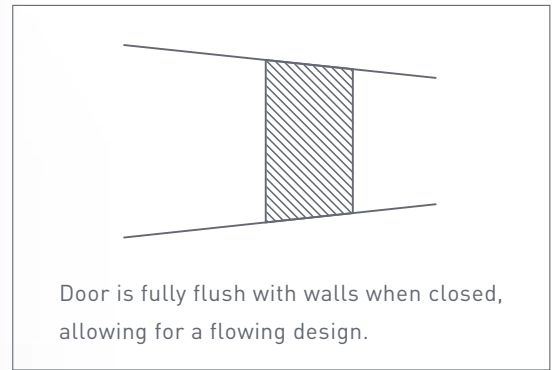
MFU-1000 would also be a clever way to hide your teleconference system.

LIN-X800 and LIN-X1000 are perfect

for hidden spaces in a shop such as changing rooms, recessed ballroom bars or VIP lounges.

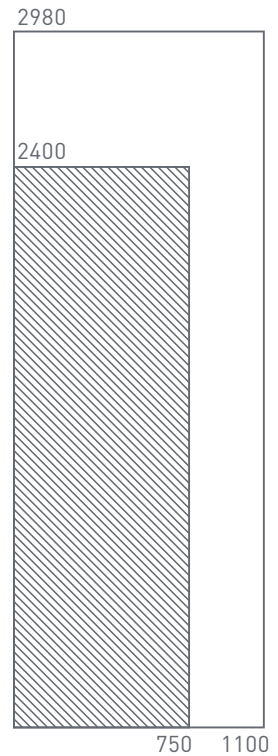
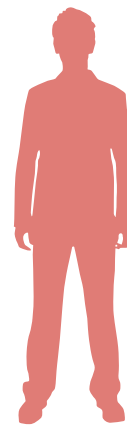
Features & Product lineup

■ ■ Features



■ ■ Product lineup

Ideal for Walk-in closet, hidden shop storage, restaurant or ballroom bars as well as partition office doors.



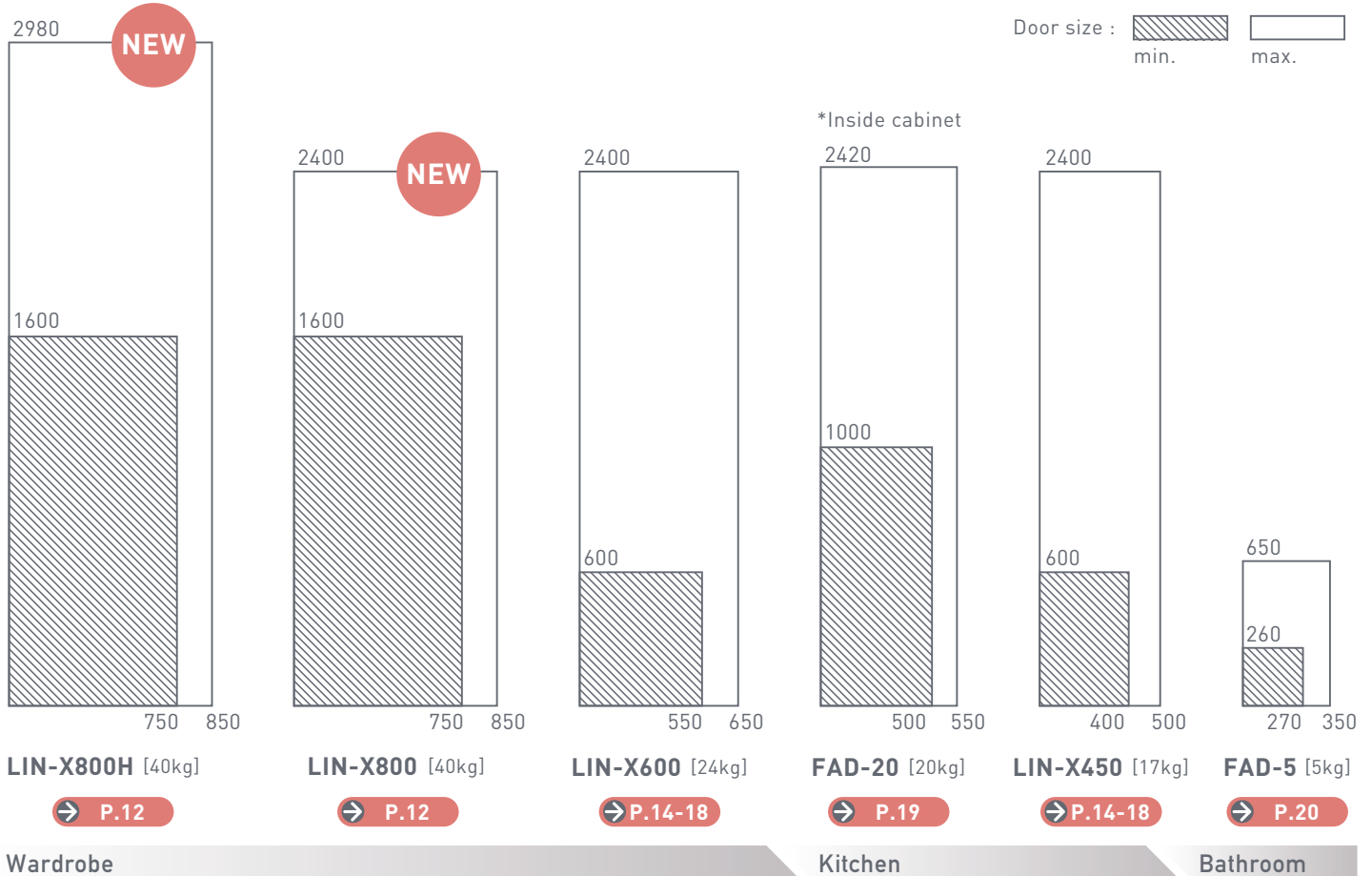
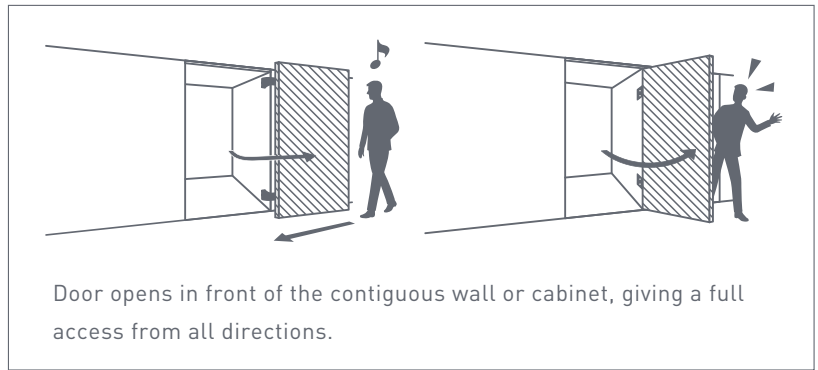
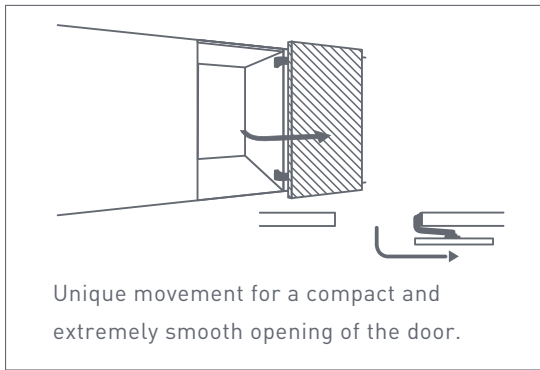
LIN-X1000 [90kg]

➔ P.10

Door



Flush Surface Door will be "flush" against surrounding walls, providing clean appearance.



MONOFLAT LIN-X HINGE For Heavy Duty Door



LIN-X1000



MonoFlat LIN-X hinge

- [Max. 90kg] LIN-X1000
- [Max. 40kg] LIN-X800
- [Max. 24kg] LIN-X600
- [Max. 17kg] LIN-X450
- [Max. 20kg] FAD-20
- [Max. 5kg] FAD-5
- [Max. 30kg] MFU-1000

LIN-X1000	
Door Width	750 - 1100 mm
Door Height	2400* - 2980 mm
Door Thickness	24 - 40 mm
Door Weight	Max. 90 kg/Door

*Height may be 2400mm or less if cutting the connecting bar. For further details, please contact local representatives.

Features

- Unique lateral swinging movement.
- Swings out in small radius. Closes flush.
- Full access to cabinet interior: door will not get in the way when fully opened.
- Easier installation due to simplification of components.
- Free-stop: holds position at desired location within its open radius.
- Soft-closing: built-in damper slows down door near closing radius, preventing slamming.
- 4way post-installation adjustment: vertical (± 7 mm), horizontal (± 7 mm), depth (± 5 mm) and parallel ($\pm 3^\circ$).
- Good Design Show winner 2016
- Reddot Product Design winner 2017
- Passed 100,000 open/close cycles in a private test.

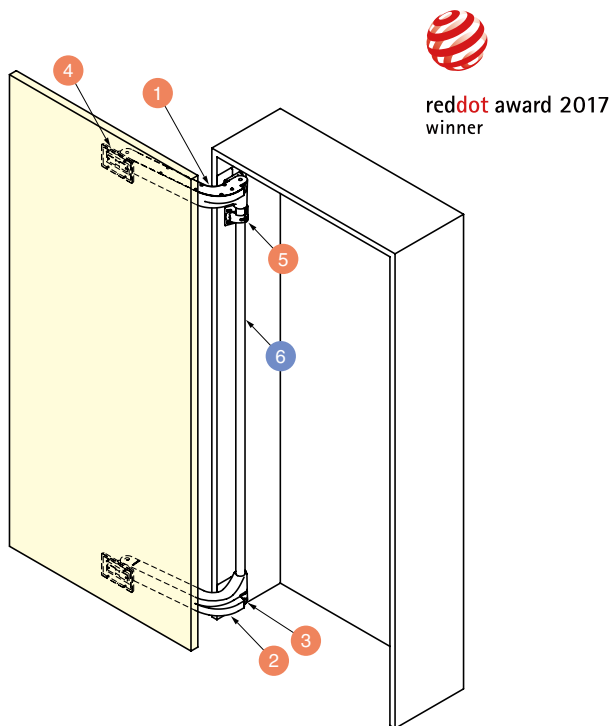
Parts Included

Truss head tapping screw 6x25 (16 pieces)

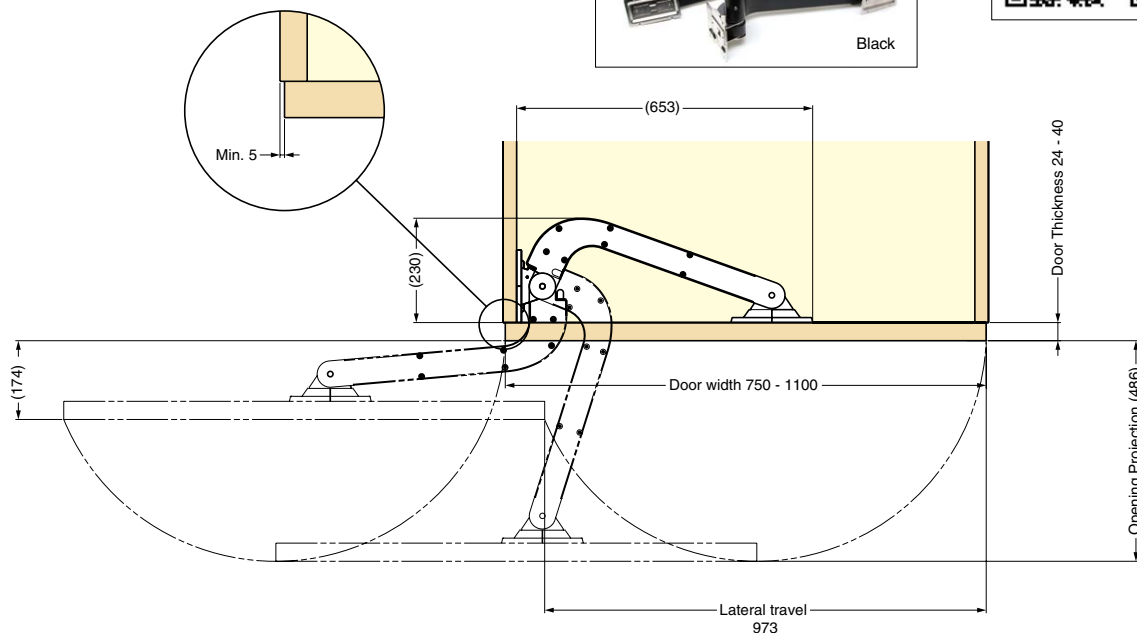
Applicable Door Load Capacity

Open/Close cycles	Door sagging	
	3 mm	5 mm
60,000	70 kg	90 kg
80,000	50 kg	80 kg
100,000	40 kg	70 kg

Colour variation



reddot award 2017 winner



When ordering MonoFlat
LIN-X Hinge LIN-X1000
For Heavy Duty Door

● Necessary Parts.....

Parts Set (Per Door) +

Connecting Bar

The circled numbers are part numbers. Please check with the drawings on the bottom.

Parts Set (Per Door)		Necessary Parts.			
Set Name	RoHS	CAD	Item Code	Item Name	Weight (g)
Parts Set			250-034-706	LIN-X1000-WT	12000
			250-042-288	LIN-X1000-BL	12000

Parts Included

No.	Qty	Dimensions	Description	No.	Qty	Dimensions	Description
1	1 pc		<ul style="list-style-type: none"> Material Aluminium Alloy Die-casting Finish Powder Coating/ White/Black 	4	4 pcs		<ul style="list-style-type: none"> Material ABS Colour White/Black
2	1 pc		<ul style="list-style-type: none"> Material Aluminium Alloy Die-casting Finish Powder Coating/ White/Black 	5	1 pc		<ul style="list-style-type: none"> Material PBT Colour White/Black
3	4 pcs		<ul style="list-style-type: none"> Material ABS Colour White/Black 				

Connecting Bar

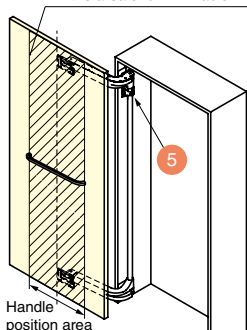
Necessary Parts 1 pc is necessary for 1 door.

No.	Qty	RoHS	CAD	Item Code	Dimensions	Description
6	1 pc			250-034-707		<ul style="list-style-type: none"> Material Aluminium Alloy Finish White Anodised
				250-042-289		<ul style="list-style-type: none"> Material Aluminium Alloy Finish Black Anodised
				Item Name : LIN-X100-L2000-WT		
				Weight (g) : 3300		
				Item Name : LIN-X100-L2000-BL		
				Weight (g) : 3300		

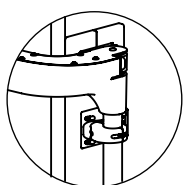
Table 1: Handle position area (for door thickness 40mm)

Door width	Hinge side clearance		
	10mm	15mm	20mm
750mm- 900mm	Max. 300mm	Max. 350mm	Max. 500mm
900mm-1000mm	Max. 200mm	Max. 250mm	Max. 400mm
1000mm-1100mm	Max. 100mm	Max. 150mm	Max. 300mm

Handle should be installed within the area shown in Table 1.

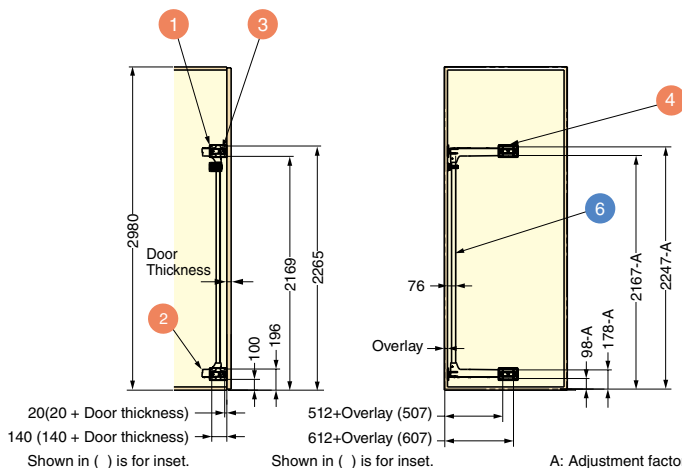
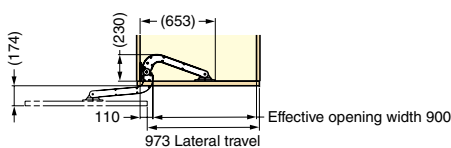


[Details of 5]



*Handle position area is centred on the door width. Handle can also be used vertically.

[Installation Example]



The table below shows the adjustment factor A depending on the door weight. Ensure that you adjust according to your door weight.

Door weight	Adjustment factor A
20kg	2mm
30kg	3.5mm
40kg	5mm
50kg	6.5mm
60kg	8mm
70kg	9.5mm
80kg	11mm
90kg	12.5mm

*If you use a thick carpet, ensure that there is enough clearance for free movement of the door.

•A ± 7mm height adjustment is possible after installation. For detail, please refer to a manual

MONOFLAT LIN-X HINGE



LIN-X800



MonoFlat LIN-X hinge

	LIN-X800	LIN-X800H
Door Width	750 - 850 mm	
Door Height	1600 - 2400 mm	1600 - 2980 mm
Door Thickness	24 - 40 mm	
Door Weight	Max. 40 kg per door	
Usage	1 per door (Overlay)	

Features

- Innovative movement keeps doors discretely out of the way.**
 Door closes flush with surrounding walls for a sleek and clean design. No need to do special processing on any wall for grooves or rails. Can be used on aluminium frames (if the frame has a thickness over 120 mm).
- Whether open or closed, door stays out of the way**
 Compared to regular swing doors, has a small radius allowing the space in front of the door to be used effectively.
- Opens fully for access to entire cabinet.**
 Whether installing cabinets or just getting access, the entire cabinet interior is easily accessible.
- Built-in soft close mechanism**
 When the door closes, the internal damper will cause the door to close softly, preventing slamming.
- 4 Way adjustment post installation**
 Can be adjusted vertically, horizontally, depth or parallel.
- Wide amount of applicable cabinets**
 Can be used on dual opening, single opening cabinets. Can also be used on L shaped corner spaces.

Parts Included

- OTruss head tapping screw 6*25
- Truss head screw M5 x 10
- M5 Square Nut
- One end mouth wrench

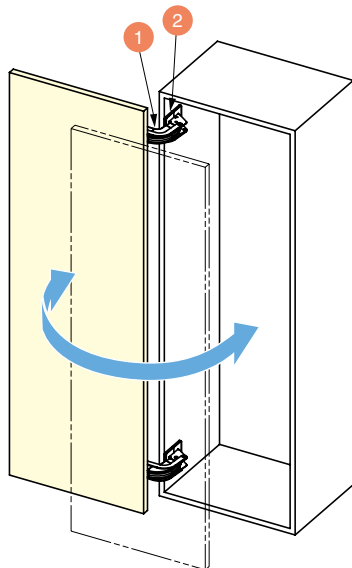
Colour Variation



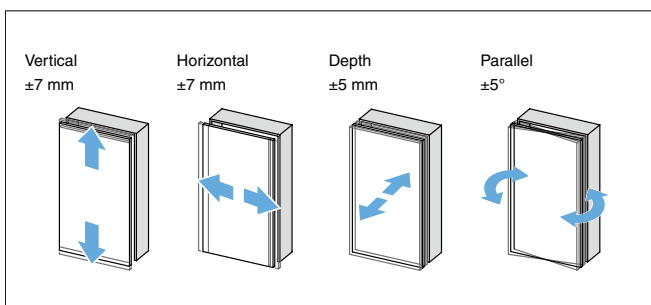
Black



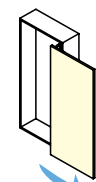
White



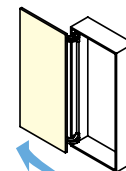
Video Link



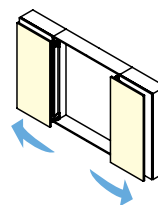
*Vertical, Horizontal, Depth and Parallel adjustment possible post-installation.



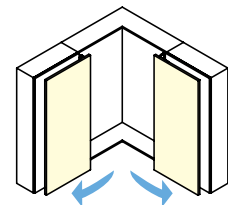
Right opening



Left opening



Dual opening



L Shaped corner space

[Max. 90kg]
LIN-X1000

[Max. 40kg]
LIN-X800

[Max. 24kg]
LIN-X600

[Max. 17kg]
LIN-X450

[Max. 20kg]
FAD-20

[Max. 5kg]
FAD-5

[Max. 30kg]
MFU-1000

MONO FLAT LIN-X HINGE
If ordering LIN-X800

• Be sure to order.....

Part Set (per door)

Part Set (per door)

This set must be ordered.

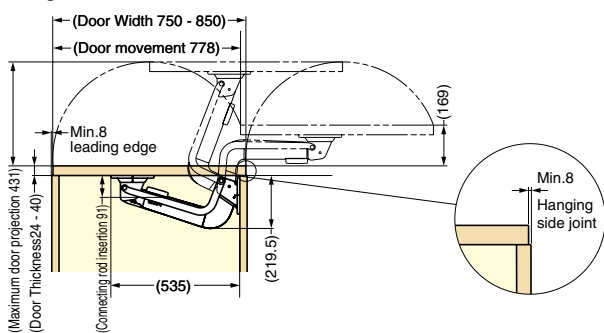
Select a suitable set according to the door height.

RtHS	CAD	Item Code	Item Name	Door Height	Colour
		250-043-897	LIN-X800-BL-S	1600 -	Black
		250-043-898	LIN-X800-WT-S	2400 mm	White
		250-043-899	LIN-X800H-BL-S	1600 -	Black
		250-043-900	LIN-X800H-WT-S	2980 mm	White

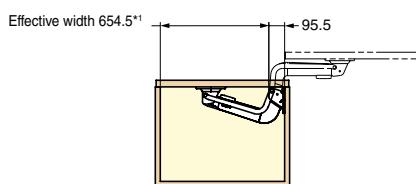
Part Set Contents

No.	Quantity	Type	Description
1	Hinge set	Black	Item Code : 250-043-834 Item Name: LIN-X800-BL
		White	Item Code : 250-043-835 Item Name: LIN-X800-WT
2	Connecting rod	2100mm Black	Item Code : 250-043-842 Item Name: LIN-X80-L2100-BL
		2100mm Silver	Item Code : 250-043-843 Item Name: LIN-X80-L2100-SL
		2500mm Black	Item Code : 250-043-844 Item Name: LIN-X80-L2500-BL
		2500mm Silver	Item Code : 250-043-845 Item Name: LIN-X80-L2500-SL

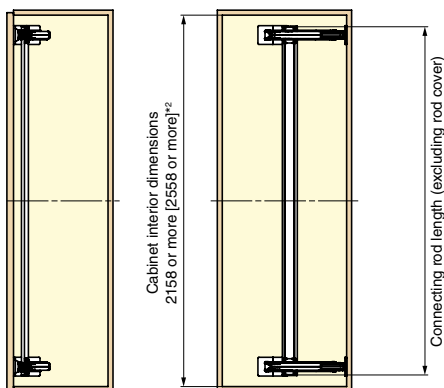
[Range of Motion]



[Installation]



*1 With door width 800mm (25mm overlay at the leading edge and hanging side)



*2 The dimensions in [] indicate LIN-X800H specifications.

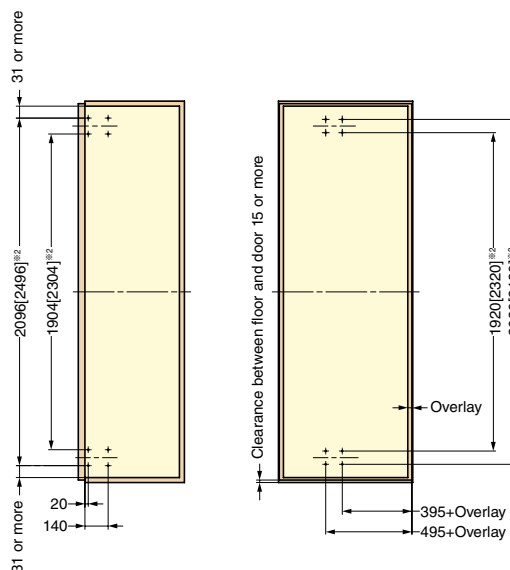
*2 For cabinet interior dimensions smaller than the minimum value, reduce the other dimensions marked with *2 by an equivalent amount. The connecting rod must be cut by the customer.

[Hinge Set Content]

Qty.	Parts in set	Dimensions	Specifications
1pc.	Hinge A		•Material Steel (SPCC)/ Polyacetal (POM)
1pc.	Hinge B		•Finish Nickel Plating Baked enamel
4pcs.	Washer cover (hanging side)		•Material ABS resin
4pcs.	Washer cover (leading edge)		•Material ABS resin
2pcs.	Rod cover		•Material Polyacetal (POM)

[Connecting Rod Content]

Qty.	Parts in set	Dimensions	Specifications
Either part	Connecting rod		•Material: Aluminium alloy
Either part	Connecting rod		•Finish: Anodised



MONOFLAT LIN-X HINGE



LIN-X450, LIN-X600

MonoFlat LIN-X hinge



	LIN-X450	LIN-X600
Door Width	400 - 500 mm	550 - 650 mm
Door Height	600 - 2400 mm	
Door Thickness	15 - 24 mm	
Door Weight	Max. 17 kg/Door	Max. 24 kg/Door
Overlay	19 mm	

Features

When opening or opened, cabinet doors will not get in the way. Unique and innovative design.

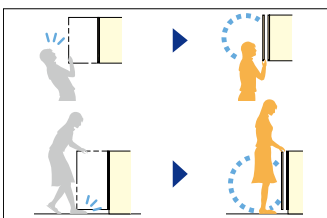
- Overlay installation that is flush with wall on both sides.
- Full access to cabinet interior: door will not get in the way when fully opened.
- Smooth operation: door is easy to move with little resistance no matter the position.
- Soft-closing: built-in damper makes door close gently, preventing slamming.
- Easy installation: Snap-in type installation. Same type of surface installation as concealed hinge mounting plate.
- Various applications including corner doors, double doors, overlapping doors.



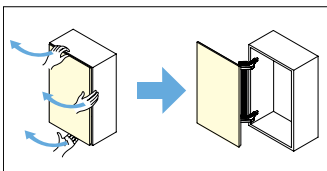
Hinge body (Close)



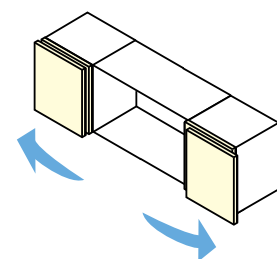
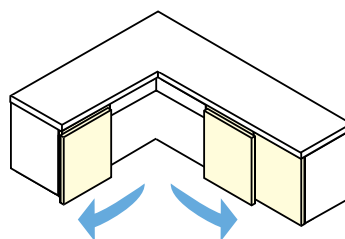
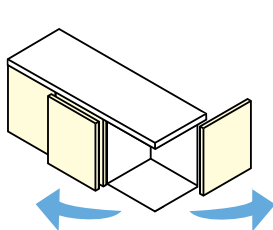
Hinge body (Open)



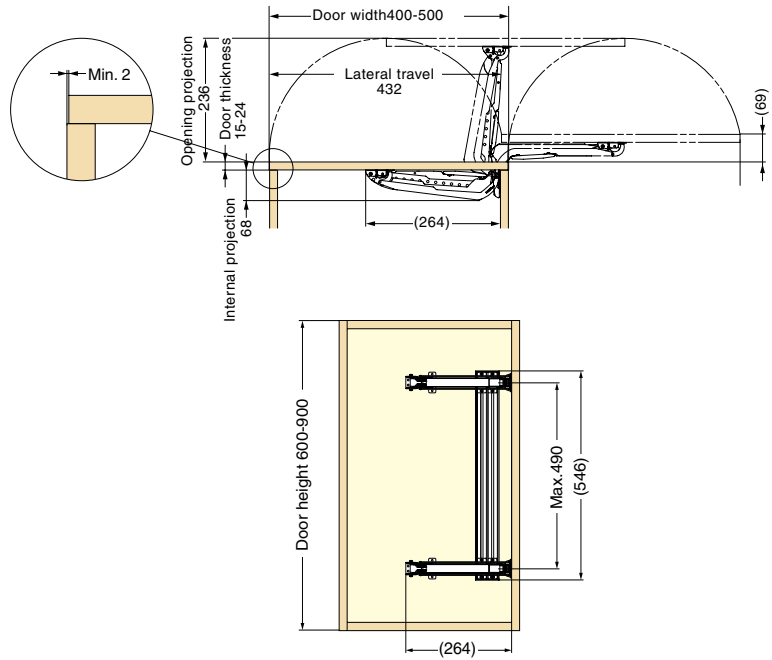
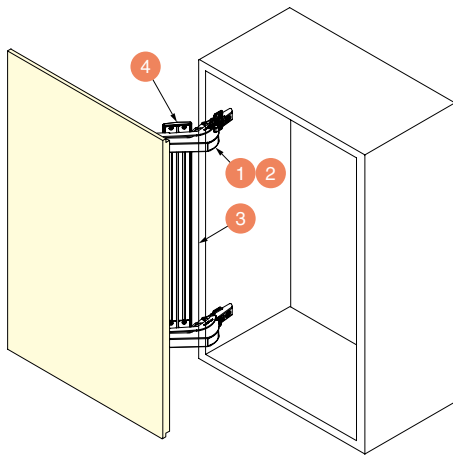
•Swing door laterally



•Free swing



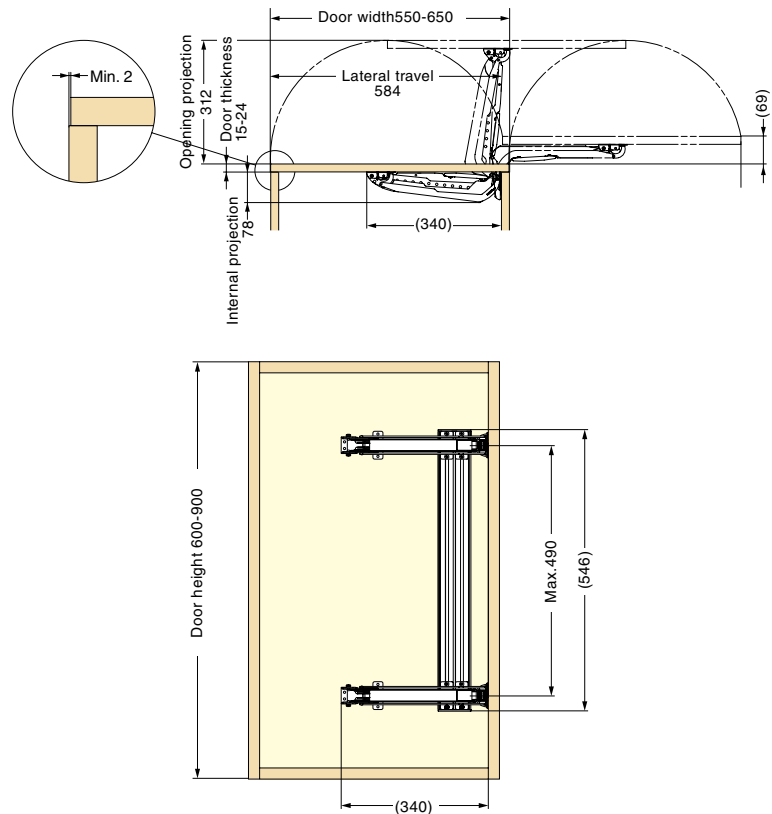
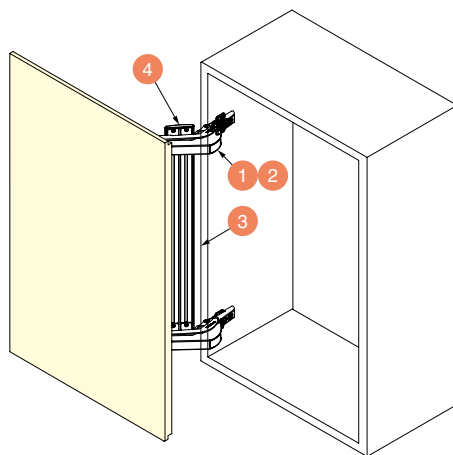
LIN-X450 Standard Kit



Door Width	400 - 500 mm
Door Height	600 - 900 mm
Door Thickness	15 - 24 mm
Door Weight	Max. 7 kg / Door

Item Code	Item Name	Overlay	Mounting Plate	Material	Finish	Weight	Box	Carton
250-014-240	LIN-X450	19 mm	230-P4W-32T	Steel/Aluminium	Nickel/Anodized	2.2 kg	1 set	6 sets
250-014-553	LIN-X450+5	14 mm	230-P4W-32T+5	Steel/Aluminium	Nickel/Anodized	2.2 kg	1 set	6 sets

LIN-X600 Standard Kit



Door Width	550 - 650 mm
Door Height	600 - 900 mm
Door Thickness	15 - 24 mm
Door Weight	Max. 9 kg / Door

Item Code	Item Name	Overlay	Mounting Plate	Material	Finish	Weight	Box	Carton
250-017-590	LIN-X600	19 mm	230-P4W-32T	Steel/Aluminium	Nickel/Anodized	3.2 kg	1 set	6 sets

[Max. 90kg]
LIN-X1000

[Max. 40kg]
LIN-X800

[Max. 24kg]
LIN-X600

[Max. 17kg]
LIN-X450

[Max. 20kg]
FAD-20

[Max. 5kg]
FAD-5

[Max. 30kg]
MFU-1000

LIN-X450 Individual Parts for Tall/Heavy Door

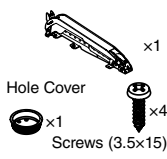
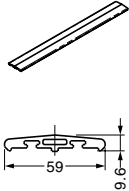
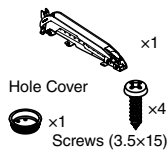
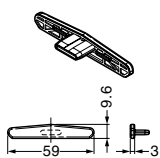
Parts Set (Per Door)

Necessary Parts

Please refer to parts included in each set.

Item Code	Item Name	Door Height	Door Weight	Parts Included			
				Hinge Set (With Damper) Item Name : LIN-X450ACD	Hinge Set (Without Damper) Item Name : LIN-X450A	Connecting Bar Item Name : LIN-X45-Lxxx	End Cap For Connecting Bar Item Name : LIN-X45C
250-016-704	LIN-X450S-1210	901-1200 mm	7.1-10.5 kg	3 sets	-	840 mm x 1 pc	2 pcs
250-016-705	LIN-X450S-1214		10.6-14 kg	3 sets	1 set		2 pcs
250-016-707	LIN-X450S-1510	1201-1500 mm	7.1-10.5 kg	3 sets	-	1140 mm x 1 pc	2 pcs
250-016-708	LIN-X450S-1514		10.6-14 kg	3 sets	1 set		2 pcs
250-016-709	LIN-X450S-1517	1501-1800 mm	14.1-17 kg	3 sets	2 sets	1440 mm x 1 pc	2 pcs
250-016-711	LIN-X450S-1810		7.1-10.5 kg	3 sets	-		2 pcs
250-016-712	LIN-X450S-1814	1501-1800 mm	10.6-14 kg	3 sets	1 set	1440 mm x 1 pc	2 pcs
250-016-713	LIN-X450S-1817		14.1-17 kg	3 sets	2 sets		2 pcs
250-016-716	LIN-X450S-2110	1801-2100 mm	7.1-10.5 kg	3 sets	-	1740 mm x 1 pc	2 pcs
250-016-717	LIN-X450S-2114		10.6-14 kg	3 sets	1 set		2 pcs
250-016-718	LIN-X450S-2117	2101-2400 mm	14.1-17 kg	3 sets	2 sets	2040 mm x 1 pc	2 pcs
250-016-723	LIN-X450S-2414		10.6-14 kg	3 sets	1 set		2 pcs
250-016-724	LIN-X450S-2417	2101-2400 mm	14.1-17 kg	3 sets	2 sets	2040 mm x 1 pc	2 pcs

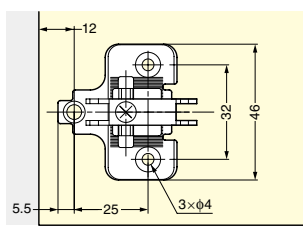

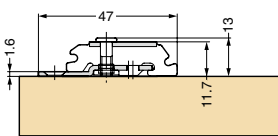

Parts Included

No.	Part Name	Description	No.	Part Name	Description
1	Hinge Body with Damper	 <p>Item Code : 250-016-240 Part Name : LIN-X450ACD</p> <ul style="list-style-type: none"> Material: Steel Finish: Nickel 	3	Connecting Bar	 <p>Item Code : 250-016-250 Part Name : LIN-X45-L540</p> <p>Item Code : 250-016-252 Part Name : LIN-X45-L840</p> <p>Item Code : 250-016-254 Part Name : LIN-X45-L1140</p> <p>Item Code : 250-016-255 Part Name : LIN-X45-L1440</p> <p>Item Code : 250-016-256 Part Name : LIN-X45-L1740</p> <p>Item Code : 250-016-259 Part Name : LIN-X45-L2040</p> <ul style="list-style-type: none"> Material: Aluminium Alloy Finish: Anodized
2	Hinge Body without Damper	 <p>Item Code : 250-016-242 Part Name : LIN-X450A</p> <ul style="list-style-type: none"> Material: Steel Finish: Nickel 	4	End Cap for Connecting Bar	 <p>Item Code : 250-016-260 Part Name : LIN-X45C</p> <ul style="list-style-type: none"> Material: Polyacetal (POM) Color: Grey

Mounting Plate

Necessary Parts

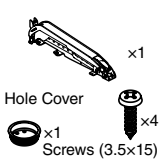
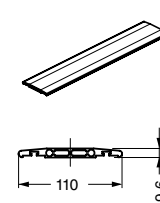
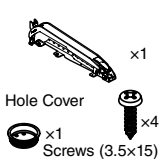
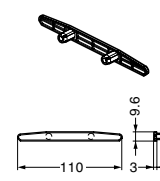
Same qty as hinge is necessary.

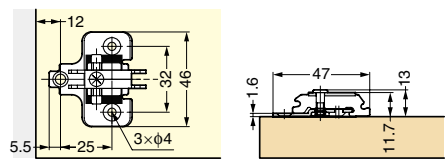

Item Code	Part Name	Dimensions	Description
160-070-041	Mounting Plate		<ul style="list-style-type: none"> Material: Steel Finish: Nickel Same quantity with hinge is necessary.
230-P4W-32T			
160-070-030	Raised Countersunk Head Tapping Screw 3.5x15		<ul style="list-style-type: none"> Material: Steel Finish: Nickel x3 per mounting plate
TAP3515NI			

LIN-X600 Individual Parts for Tall/Heavy Door

Parts Set(Per Door)		Necessary Parts					
		Please refer to parts included in each set.					
Item Code	Item Name	Door Height	Door Weight	Parts Included			
				Hinge Set (With Damper) Item Name : LIN-X600ACD	Hinge Set (Without Damper) Item Name : LIN-X600A	Connecting Bar Item Name : LIN-X60-Lxxx	End Cap For Connecting Bar Item Name : LIN-X60C
250-017-068	LIN-X600S-1212	901-1200 mm	Less than 12 kg	2 sets	-	840 mm x 1 pc	2 pcs
250-017-069	LIN-X600S-1216		12.1-16 kg	3 sets	-		2 pcs
250-017-071	LIN-X600S-1516	1201-1500 mm	Less than 16 kg	3 sets	-	1140 mm x 1 pc	2 pcs
250-017-072	LIN-X600S-1520		16.1-20 kg	3 sets	1 set		2 pcs
250-017-074	LIN-X600S-1816	1501-1800 mm	Less than 16 kg	3 sets	-	1440 mm x 1 pc	2 pcs
250-017-075	LIN-X600S-1820		16.1 kg-20 kg	3 sets	1 set		2 pcs
250-017-493	LIN-X600S-1824		20.1-24 kg	3 sets	2 sets		2 pcs
250-017-077	LIN-X600S-2116	1801-2100 mm	Less than 16 kg	3 sets	-	1740 mm x 1 pc	2 pcs
250-017-078	LIN-X600S-2120		16.1 kg-20 kg	3 sets	1 set		2 pcs
250-017-079	LIN-X600S-2124		20.1-24 kg	3 sets	2 sets		2 pcs
250-017-082	LIN-X600S-2420	2101-2400 mm	Less than 20 kg	3 sets	1 set	2040 mm x 1 pc	2 pcs
250-017-083	LIN-X600S-2424		20.1-24 kg	3 sets	2 sets		2 pcs

Parts Included

No.	Part Name	Description	No.	Part Name	Description
1	Hinge Body with Damper	 <p>Item Code : 250-016-962 Part Name : LIN-X600ACD</p> <ul style="list-style-type: none"> Material: Steel Finish: Nickel 	3	Connecting Bar	 <p>Item Code : 250-016-964 Part Name : LIN-X60-L540</p> <p>Item Code : 250-016-965 Part Name : LIN-X60-L840</p> <p>Item Code : 250-016-966 Part Name : LIN-X60-L1140</p> <p>Item Code : 250-016-967 Part Name : LIN-X60-L1440</p> <p>Item Code : 250-016-968 Part Name : LIN-X60-L1740</p> <p>Item Code : 250-016-969 Part Name : LIN-X60-L2040</p> <ul style="list-style-type: none"> Material: Aluminium Alloy Finish: Anodized
2	Hinge Body without Damper	 <p>Item Code : 250-016-963 Part Name : LIN-X600A</p> <ul style="list-style-type: none"> Material: Steel Finish: Nickel 	4	End Cap for Connecting Bar	 <p>Item Code : 250-016-970 Part Name : LIN-X60C</p> <ul style="list-style-type: none"> Material: Polyacetal (POM) Colour: Grey

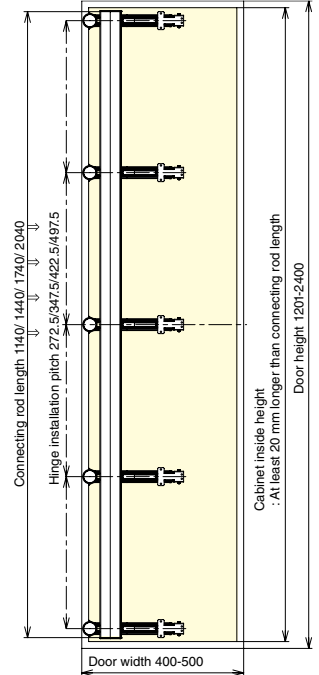
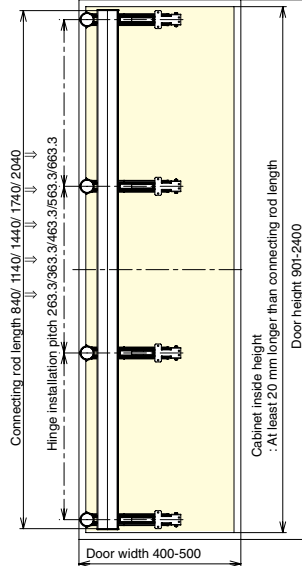
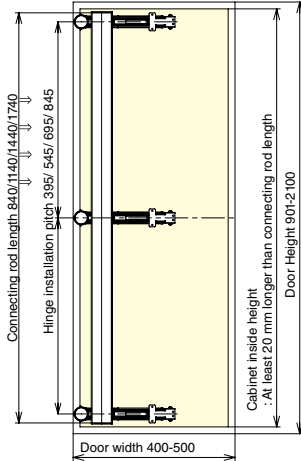
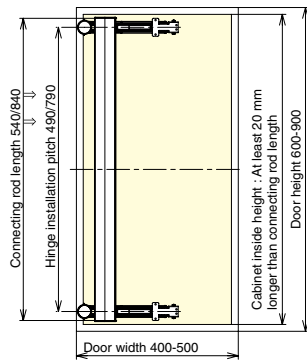
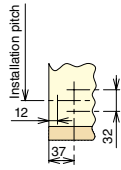
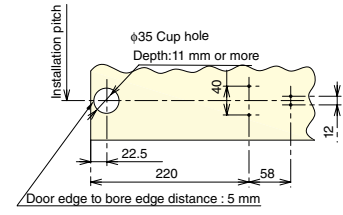
Mounting Plate		Necessary Parts	
		Same qty as hinge is necessary.	
Item Code	Part Name	Dimensions	Description
160-070-041	Mounting Plate		<ul style="list-style-type: none"> Material: Steel Finish: Nickel *Same quantity with hinge is necessary.
160-070-030	Raised Countersunk Head Tapping Screw 3.5x15	 <p>x3 per mounting plate</p>	<ul style="list-style-type: none"> Material: Steel Finish: Nickel

Hinge Installation Pitch and Other Dimensions

LIN-X450

Door Preparation

Cabinet Preparation



Door thickness 15-24
Door weight up to 7 kg

Door thickness 15-24
Door weight up to 10.5 kg

Door thickness 15-24
Door weight up to 14 kg

Door thickness 15-24
Door weight up to 17 kg

2 Hinges per door
(①)LIN-X450ACD : 2 pcs

3 Hinges per door
(①)LIN-X450ACD : 3 pcs

4 Hinges per door
(①)LIN-X450ACD : 3 pcs
(②)LIN-X450A : 1 pc
*Please install the ② to the second place from the bottom.

5 Hinges per door
(①)LIN-X450ACD : 3 pcs
(②)LIN-X450A : 2 pcs
*Please install the ② to the 2nd and 3rd place from the bottom.

[Max. 90kg]
LIN-X1000

[Max. 40kg]
LIN-X800

[Max. 24kg]
LIN-X600

[Max. 17kg]
LIN-X450

[Max. 20kg]
FAD-20

[Max. 5kg]
FAD-5

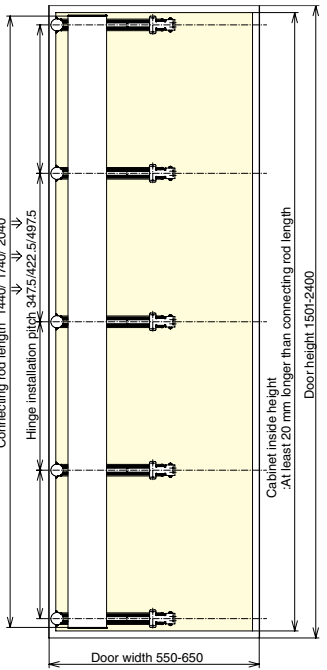
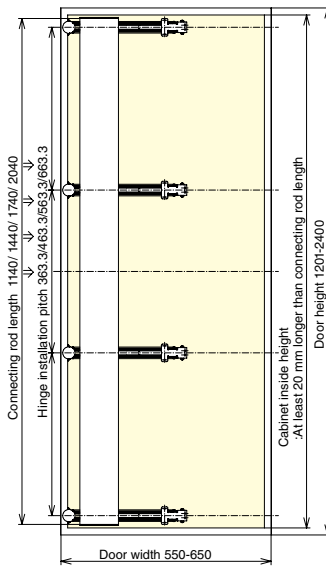
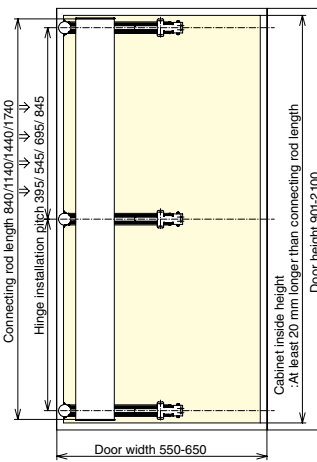
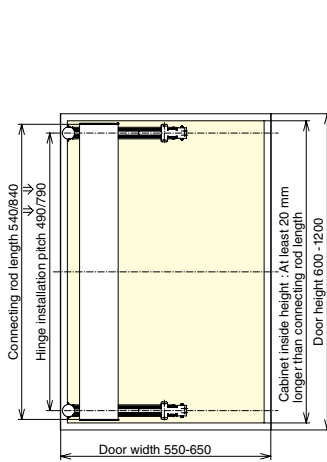
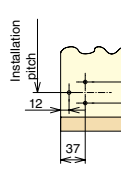
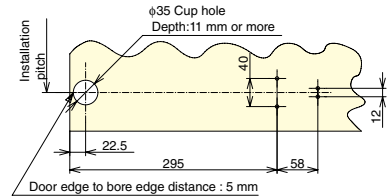
[Max. 30kg]
MFU-1000

Hinge Installation Pitch and Other Dimensions

LIN-X600

Door Preparation

Cabinet Preparation



Door thickness 15-24
Door weight
⇒ Door height 600-1200
⇒ Door weight up to 9 kg
⇒ Door height 901-1200
⇒ Door weight up to 12 kg

Door thickness 15-24
Door weight
⇒ Door height 901-2100
⇒ Door weight up to 16 kg

Door thickness 15-24
Door weight up to 20 kg

Door thickness 15-24
Door weight up to 24 kg

2 Hinges per door
(①)LIN-X600 ACD : 2 pcs

3 Hinges per door
(①)LIN-X600 ACD : 3 pcs

4 Hinges per door
(①)LIN-X600 ACD : 3 pcs
(②)LIN-X600 A : 1 pc
* Please install the ② to the 2nd place from the bottom.

5 Hinges per door
(①)LIN-X600 ACD : 3 pcs
(②)LIN-X600 A : 2 pcs
* Please install the ② to the 2nd and 3rd place from the bottom.

MONOFLAT FAD (FOR MEDIUM SIZE CABINET)

FAD-20

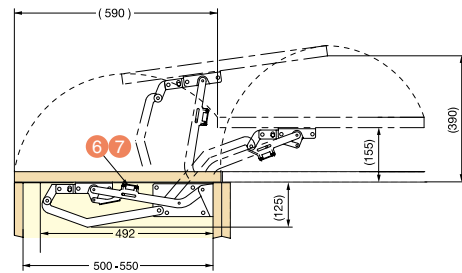
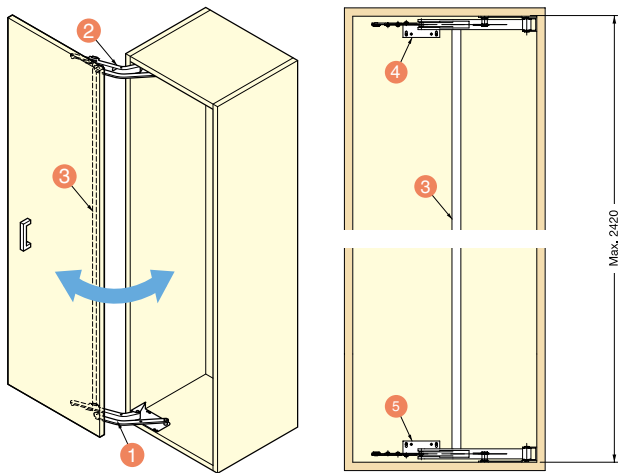


MonoFlat FAD

Inside Cabinet Width	500 - 550 mm
Inside Cabinet Height	1000 - 2420 mm
Door Thickness	Max. 35 mm
Door Weight	Max. 20 kg/Door

Features

- Lateral swing system for medium-sized cabinets with an overlay installation.
- Smaller opening radius than swing open doors. Does not get in the way after being opened.
- Uses a gas spring to make opening and closing smooth with little resistance.
- Holds door firmly in fully opened and fully closed positions.
- Various types of installations: Can be used on single or double doors.



[Max. 90kg]
LIN-X1000

[Max. 40kg]
LIN-X800

[Max. 24kg]
LIN-X600

[Max. 17kg]
LIN-X450

[Max. 20kg]
FAD-20

[Max. 5kg]
FAD-5

[Max. 30kg]
MFU-1000

Item Code	Item Name
250-180-908	FAD-20

Parts Details

No.	Qty	Part Name	Dimensions	Description
1	1 pc	Arm A		•Material Aluminium Alloy/Steel •Finish Matte Silver
2	1 pc	Arm B		•Material Aluminium Alloy/Steel •Finish Matte Silver
3	1 pc	Connecting Pipe		•Material Steel •Finish Matte Silver
4	1 pc	Upper Bracket		•Material Steel •Finish Matte Silver

No.	Qty	Part Name	Dimensions	Description
5	1 pc	Lower Bracket		•Material Steel •Finish Matte Silver
6	2 pcs	Pipe Clamp		•Material Steel •Finish Matte Silver
7	2 pcs	Cap		•Material Polyethylene (PE) •Colour Black
8	1 pc	Sticker	-	-

MONOFLAT FAD (FOR SMALL SIZE CABINET)

FAD-5

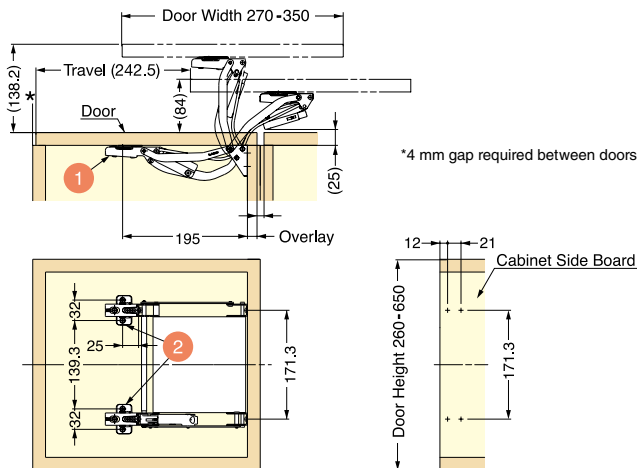
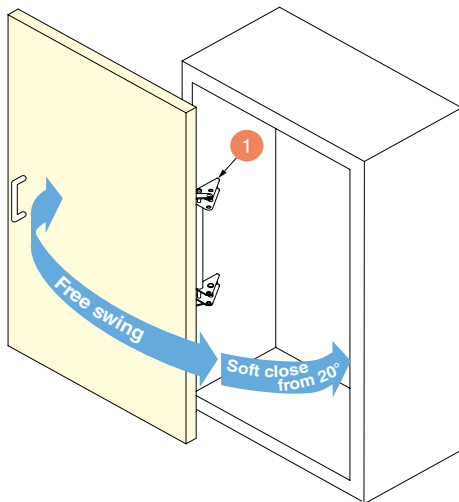
MonoFlat FAD



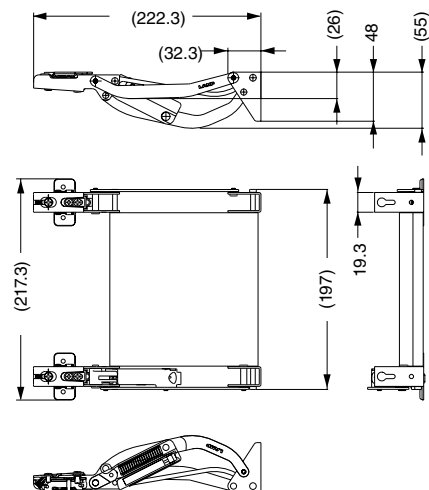
Door Width	270 - 350 mm
Door Height	260 - 650 mm
Door Thickness	15 - 20 mm
Door Weight	Max. 5 kg/Door

Features

- Lateral swing system for smaller cabinets with an overlay installation.
- Smaller opening radius than swing open doors. Does not get in the way after being opened.
- Doors close gently and quietly.
- 3way adjustment post-installation: vertical(±3mm), horizontal(±2.5mm), paralel (5°).
- Great solution for kitchen, bathroom and laundry room cabinets.
- Various types of installations: Can be used on single or double doors.



Hinge Dimensions

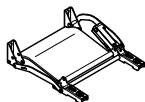
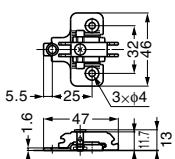


Parts Set (Per Door)

Necessary Parts

Item Code	Item Name
250-016-605	FAD-5

Parts Included

No.	Qty	Part Name	Drawing	Description	No.	Qty	Part Name	Drawing	Description
1	1 pc	Hinge Body		As above.	1	2 pcs	Mounting Plate		Item Code : 160-070-041 Part Name : 230-P4W-32T •Material Steel •Finish Anodized Silver /Grey/Nickel
				•Material Aluminium Alloy /Polyacetal(POM) /Steel •Finish Anodized Silver /Grey/Nickel					

FLUSH SLIDING DOOR SYSTEM

MFU-1000

MonoFlat UNISON



Open MFU-1000-L shown.



Close

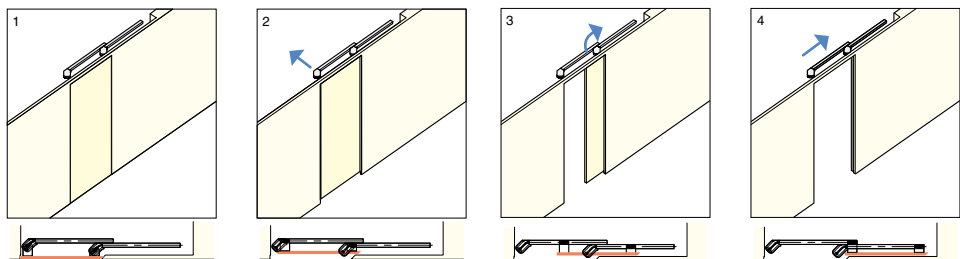
Door Width	800 - 1000 mm
Door Height	Max. 2500 mm
Door Thickness	*28 - 30 mm
Door Weight	Max. 30 kg
Adjustability	Depth: ±3.5 mm
	Horizontal: ±4 mm
	Vertical: ±4 mm

*Can be used on door thicker than 30 mm by mortising hanging bracket into the door.

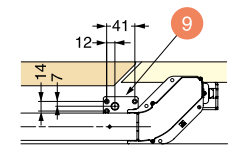
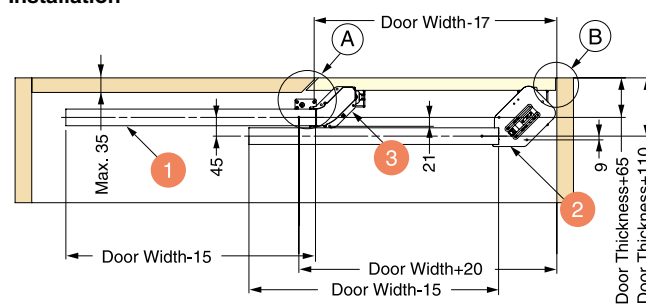
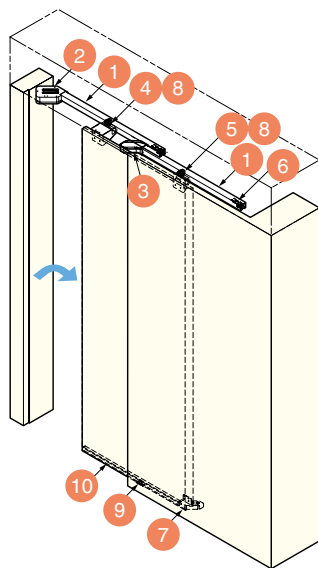
Features

- Completely flush with surroundings, looks like it is just another part of the wall.
- Self-closing function pulls in door fully when it is close to closing.
- Easier installation due to reduced number of parts.
- Does not require a bottom rail. By using a bottom rail, door can be held more firmly.

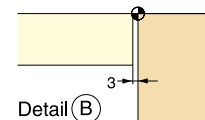
How the Door Moves



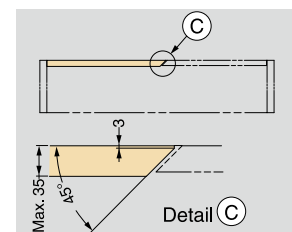
Installation



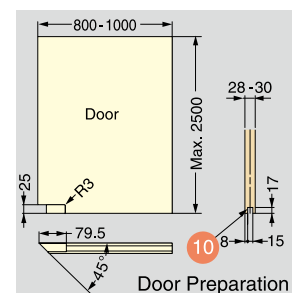
Detail (A)



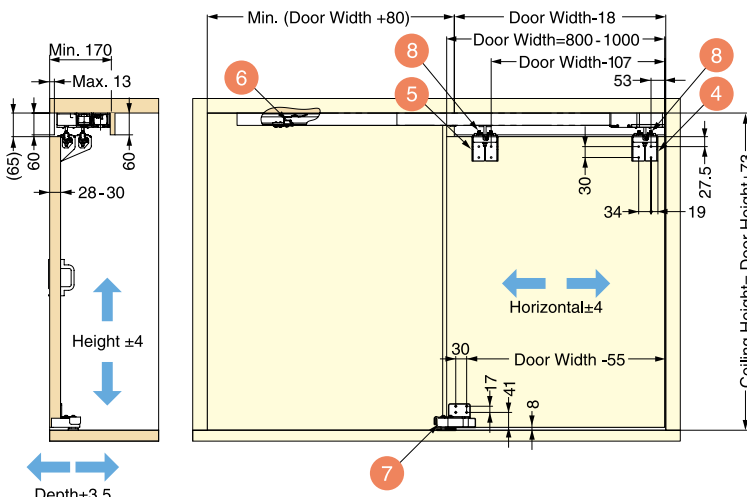
Detail (B)



Detail (C)



Door Preparation



[Max. 90kg]
LIN-X1000

[Max. 40kg]
LIN-X800

[Max. 24kg]
LIN-X600

[Max. 17kg]
LIN-X450

[Max. 20kg]
FAD-20

[Max. 5kg]
FAD-5

[Max. 30kg]
MFU-1000

Parts Set (Per Door) Necessary Parts

Item Code	Item Name	Description
250-022-021	MFU-1000-R	Door slides from Right to Left
250-022-022	MFU-1000-L	Door slides from Left to Right

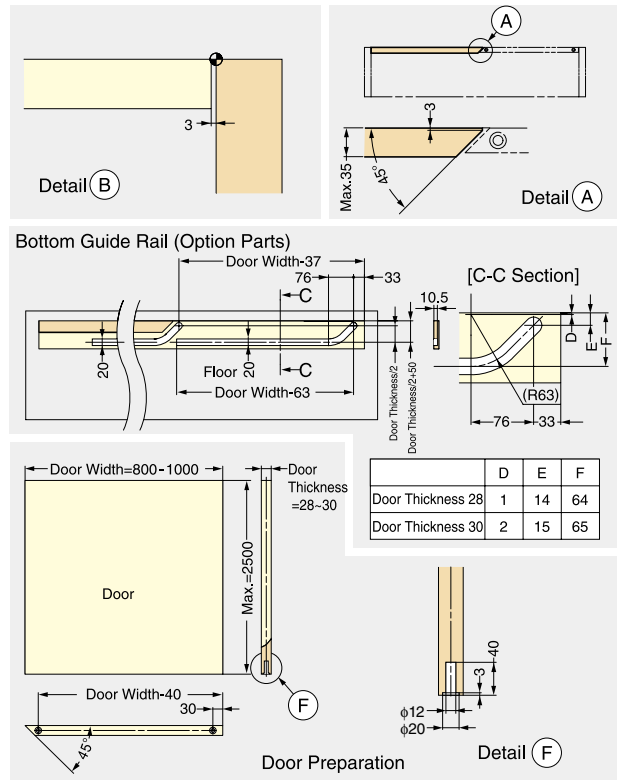
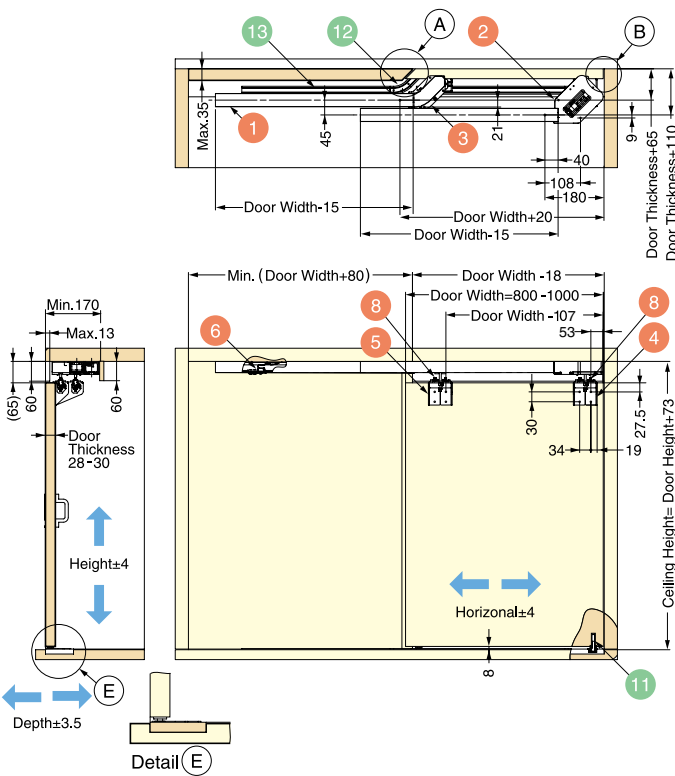
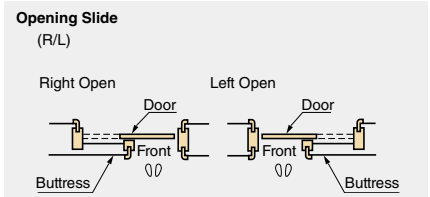
Parts included

No.	Qty	Part Name	Dimensions	Description
1	2 pcs	Upper Track		<ul style="list-style-type: none"> Material Aluminium Finish Anodized
2	1 pc	Guide Block		<ul style="list-style-type: none"> Material Aluminium, Polycarbonate Finish Silver White
3	1 pc	Guide Block		<ul style="list-style-type: none"> Material Aluminium Finish Silver
4	1 pc	Upper Bracket A		<ul style="list-style-type: none"> Material Steel Finish Chromate
5	1 pc	Upper Bracket B		<ul style="list-style-type: none"> Material Steel Finish Chromate

No.	Qty	Part Name	Dimensions	Description
6	1 pc	Stopper		<ul style="list-style-type: none"> Material PBT / Steel Finish White / Yellow Zinc Chromate
7	1 pc	Lower Guide		<ul style="list-style-type: none"> Material Steel Finish Chromate
8	2 pcs	Upper Roller		<ul style="list-style-type: none"> Material POM / Steel Finish Natural / Chromate
9	1 pc	Bottom Guide Pin		<ul style="list-style-type: none"> Material Polyamide Finish Yellow Zinc Chromate / Light Brown
10	1 pc	Guide Track		<ul style="list-style-type: none"> Material Aluminium Finish Anodized

Optional Parts For floor mounted recessed guide track.

Item Code	Item Name	Description	Parts Included
250-023-148	MFU-1000RG-SL-R	Door slides from Right to Left	11 2pcs 12 2pcs 13 2pcs
250-023-149	MFU-1000RG-SL-L	Door slides from Left to Right	11 2pcs 12 2pcs 13 2pcs



[Max. 90kg] LIN-X1000
 [Max. 40kg] LIN-X800
 [Max. 24kg] LIN-X600
 [Max. 17kg] LIN-X450
 [Max. 20kg] FAD-20
 [Max. 5kg] FAD-5
 [Max. 30kg] MFU-1000



www.sugatsune-intl.com



Sugatsune YouTube channel

See more videos on the Sugatsune dedicated YouTube channel.

[https://www.youtube.com/channel/
UCh7KankjLfu9moMuAenEVpw](https://www.youtube.com/channel/UCh7KankjLfu9moMuAenEVpw)

Global Headquarters

SUGATSUNE KOGYO CO., LTD.

Tokyo, JAPAN

Phone: +81-3-3866-2260

Fax: +81-3-3866-4447

E-mail: export@sugatsune.co.jp

Website: <https://www.sugatsune-intl.com>

North America

SUGATSUNE AMERICA, INC.

Los Angeles, USA

Phone: +1-310-329-6373

Fax: +1-310-329-0819

Website: <https://www.sugatsune.com>

Chicago, USA

Phone: +1-312-461-1081

Fax: +1-312-461-1082

Website: <https://www.sugatsune.com>

SUGATSUNE CANADA, INC.

Montreal, CANADA

Phone: +1-514-312-5267

Fax: +1-514-399-0538

Website: <https://www.sugatsune.ca>

Europe

SUGATSUNE KOGYO (UK) LIMITED

Reading, UK

Phone: +44-118-9272-955

Fax: +44-118-9272-871

Website: <http://www.sugatsune.co.uk>

SUGATSUNE EUROPE GMBH

Düsseldorf, GERMANY

Phone: +49-211-53812-900

Fax: +49-211-53812-901

Website: <https://www.sugatsune.eu>

Asia

SUGATSUNE SHANGHAI CO.,LTD.

Shanghai, CHINA

Phone: +86-21-3632-1858

Fax: +86-21-3632-1868

Website: <http://www.sugatsune.com.cn>

Guangzhou, CHINA

Phone: +86-20-6639-3552

Fax: +86-20-6230-9772

Website: <http://www.sugatsune.com.cn>

SUGATSUNE KOGYO

INDIA PRIVATE LIMITED

Mumbai, INDIA

Phone: +91-22-2831-4490/91

E-mail: sales@sugatsune.in

Website: <https://www.sugatsune.in>



SUGATSUNE KOGYO CO.,LTD
Manufacturer of **LAMP** brand Products