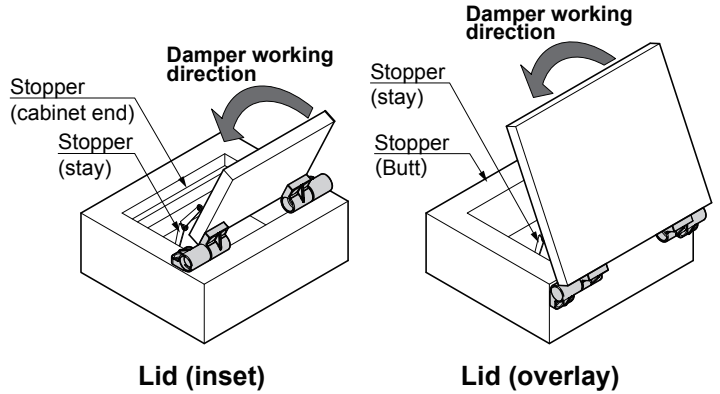


Thank you for selecting our product. Before starting installation, please read this manual thoroughly to ensure correct installation. Please keep this manual at hand for future reference.

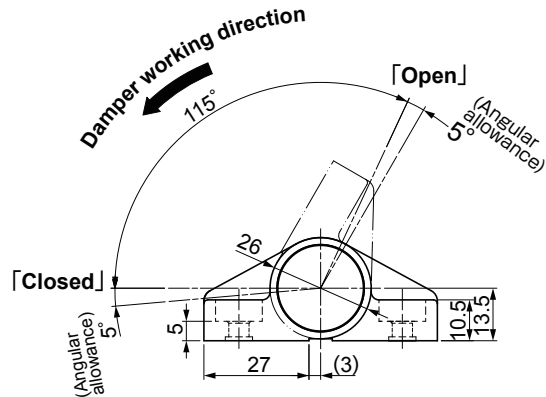
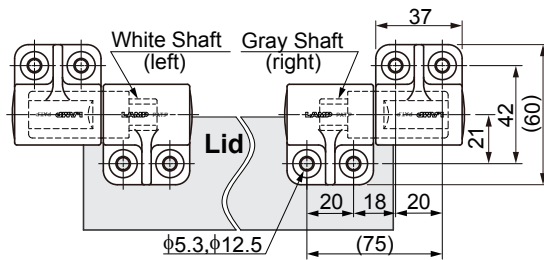
APPLICABLE LID AND DOOR

Lid (external fitting)		Downward opening door (internal fitting)
Overlay	Inset	

APPLICATION EXAMPLES



DIMENSIONS



FOR YOUR SAFE WORK AND CORRECT INSTALLATION


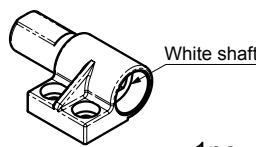
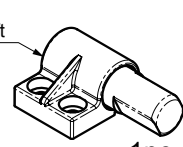

Meaning of symbols

--	--	--

Caution If not followed injury or damage may result.

- ⓘ This product should be mounted on a surface which has enough strength to hold the moment of the lid. If not, the lid may fall and cause injury.
- ⊘ Do not use this product for applications outside of its specification.
- ⓘ Use stays and stoppers with the dampers to prevent over rotation. If not the damper may be damaged.
- ⓘ Align the axis of both hinges. If not, malfunction or damage will result.
- ⓘ When mounting the hinges to an inclined surface, contact us.
- ⊘ Do not use excessive force as this may result in damage.
- ⚠ If the lid is released at a low angle, the damper may not work properly.
- ⚠ If the operating temperature increases, the door movement becomes quicker. If the temperature decreases, movement becomes slower. This is not a mechanical problem.
- ⚠ The cap will loosen after several times of detachment.

COMPONENT PARTS

<p>① Cabinet bracket</p>  <p>2pcs</p>	<p>② Lid bracket (left) ※1</p>  <p>1pc</p>	<p>③ Lid bracket (right) ※1 (with damper)</p>  <p>1pc</p>	<p>④ Cap</p>  <p>4pcs</p>
--	---	--	--

※ Left hand or right hand are defined by the front view of the lid.

●Screws (not provided): Hexagon socket head bolt 8 pcs, Plain washer (5 mm) 8 pcs

SPECIFICATIONS

Item name	Damper ※2		Torque ※3 N·m (kg · cm)
	Color of shaft	Color of marking	
HG-JH25	White (for left)	Gray (for right)	3~5 (30.5~51)
HG-JH35			5~7 (51~71.4)

※2 ... Left: Damper works when the shaft is turned anti-clockwise.

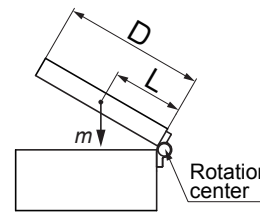
Right: Damper works when the shaft is turned clockwise.

※3 ... The figure shows the torque of two hinges per lid.

Ambient temperature: 0 °C~40 °C

Ambient humidity: Max. 90%

MAXIMUM LID TORQUE CALCULATION



$$T = m \times 9.8 \times L$$

T: Maximum lid torque (N·m)

m: Lid weight (kg)

D: Lid length (m)

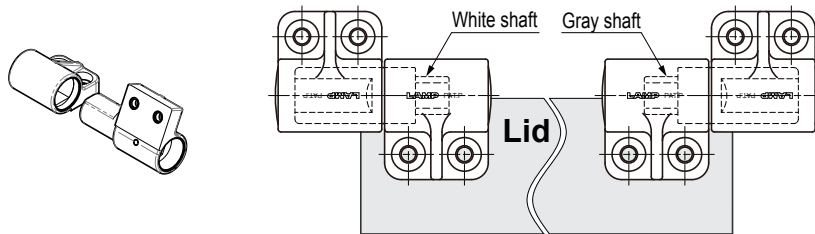
A: Length of lid back from rotation center (m)

L: Distance from rotation center to lid center of gravity (m)

$$L = D/2 - A$$

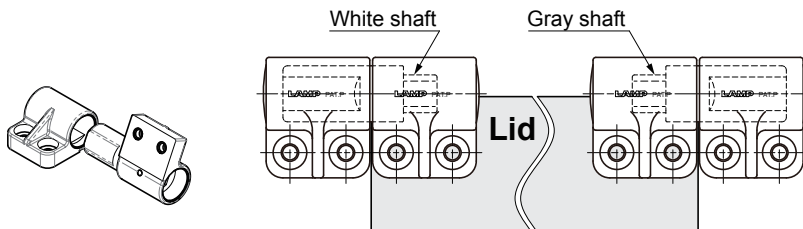
INSTALLATION

A. Assembly of brackets in alternative directions (Application example: lid (overlay))



- Mount the lid bracket ② As shown in the left figure.
- Assemble the cabinet bracket to the damper. (See left figure A or B.)
- Fix the cabinet bracket to the cabinet together with the lid.
- Verify that the lid movement is OK.
- Put the four caps ④ onto the brackets.

B. Assembly of brackets in the same direction (Application example: lid (inset))



SUGATSUNE KOGYO CO.,LTD
Tokyo, JAPAN
Phone: +81 (0)3 3866 2260 E-mail:export@sugatsune.co.jp

SUGATSUNE KOGYO (UK) LTD
Reading, UK
Phone: +44 118 9272 955 E-mail:sales@sugatsune.co.uk

SUGATSUNE EUROPE GmbH
Düsseldorf, GERMANY
Phone: +49 211 53812900 E-mail:sales@sugatsune.eu

SUGATSUNE SHANGHAI Co., LTD
Shanghai, CHINA
Phone: +86 21 3632 1858 E-mail:lamp@sugatsune.com.cn

Guangzhou, CHINA
Phone: +86 20 6639 3552 E-mail:lamp@sugatsune.com.cn

SUGATSUNE KOGYO INDIA PRIVATE LIMITED
Mumbai, INDIA
Phone: +91 22 28314490/91 E-mail:sales@sugatsune.in

SUGATSUNE AMERICA, INC
California, USA
Phone: +1 310 329 6373 E-mail:sales@sugatsune.com

Chicago, USA
Phone: +1 312 461 1081 E-mail:chicagoshowroom@sugatsune.com.

SUGATSUNE CANADA, INC.
Phone: +1 514 312 5267 E-mail:support@sugatsune.ca