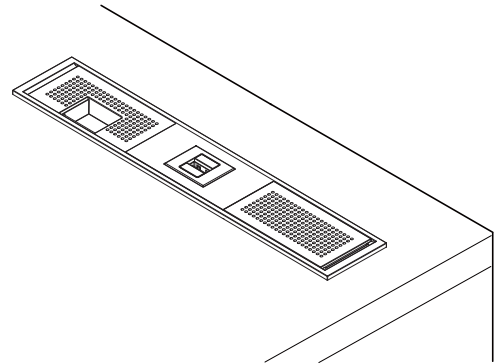


Thank you for selecting our product. Before starting installation, please read this manual thoroughly to ensure correct installation.

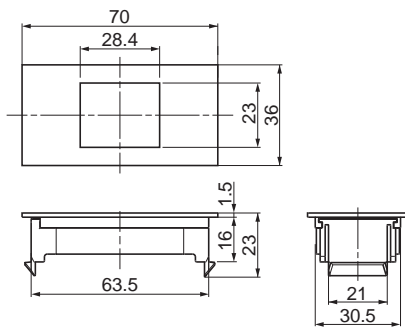
Please keep this manual at hand for future reference.



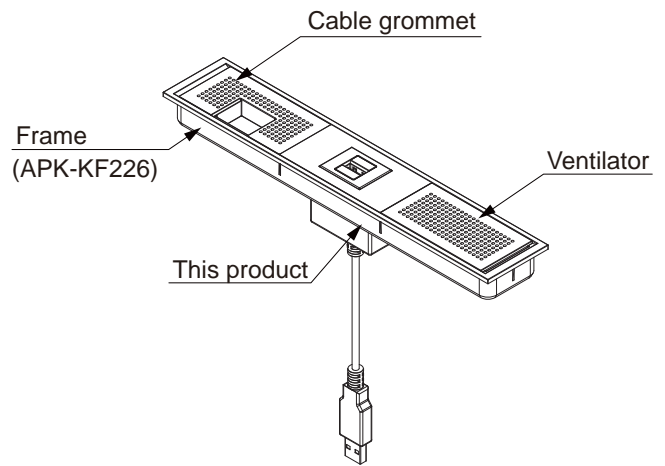
ABOUT THE PRODUCT

- Bracket for jack which can be mounted on ventilator frame APK-KF.
- It enables various connectors such as LAN connector, USB connector, and LAN cable case to be mounted on ventilator frame APK-KF.

SPECIFICATIONS



Examples of combination with ventilator or cable grommet (sold separately).



Item code	Item No.	Color
210-040-817	APK-K-DM1-BL	Black
210-040-818	APK-K-DM1-WT	White
210-040-819	APK-K-DM1-BR	Brown

Precautions for safety

Meaning of symbols



Warning
Caution



Prohibited



Required

Precautions for installation

⚠ WARNING If these warnings are not followed, it may result in death or serious injury.

- ⊘ Do not try to use the product for any other purposes other than originally intended for. Do not use the parts for applications that are out of specification.
- ⚠ It is necessary to mount the product on the place which can hold the weight of the installed parts and can bear the operating force of connectors.
- ⊘ Do not disassemble nor modify any parts than those described in this document.
- ⊘ Do not use excessive force to the product. Do not drop or hit the product. Damage or injury may be resulted.

⚠ Caution If these cautions are not followed, it may result in injury or damage.

- ⊘ Do not use excessive force to the product. Do not drop or hit the product. Damage or injury may be resulted.

Precautions for use

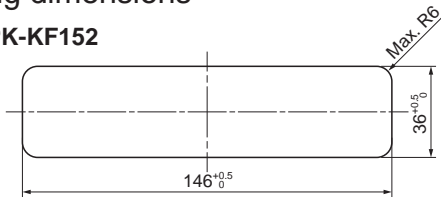
⚠ Caution If these cautions are not followed, it may result in injury or damage.

- ⊘ Do not use the product with too much vibration or shock to avoid damage.
- ⊘ Do not paint the product to avoid damage.
- ⊘ Do not use the product in a direct sunlight. It may cause discoloration.
- ⚠ Pay attention to the mounting direction of cover and bracket.
- ⚠ Be sure to insert LAN plug or USB plug securely.
- ⚠ Always grip the plug section when disconnecting cables.

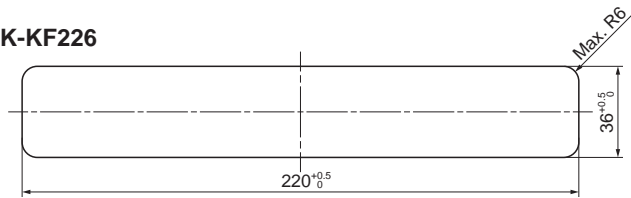
Installation

① Drilling dimensions

APK-KF152

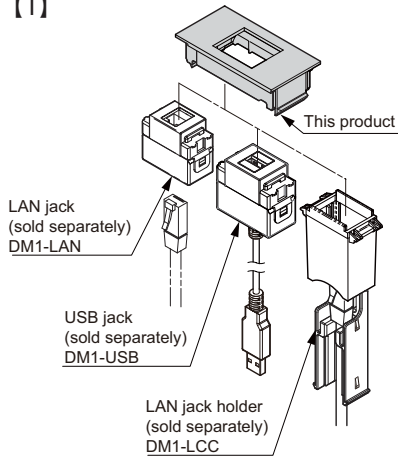


APK-KF226



② Assembly

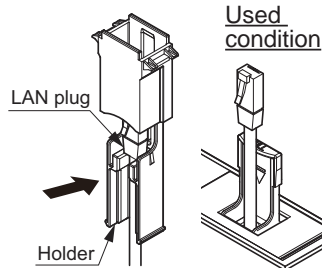
[1]



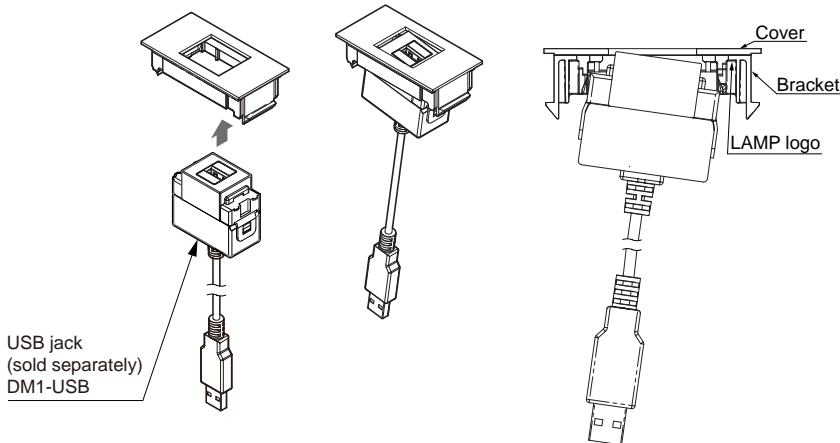
LAN jack holder (sold separately)

[How to assemble]

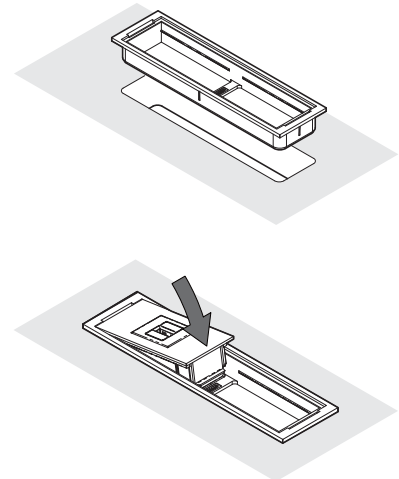
(1) Pull out the holder. Hook the LAN plug on the holder.



[2] Hook the jack on the claw on the opposite side of the LAMP logo on the bracket, then push in the jack until a click sound is heard.

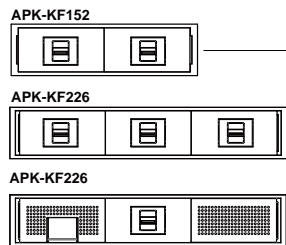


[3] Bond the frame so that it will not come out.



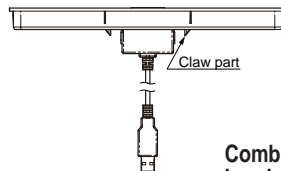
How to remove

Removal of bracket or ventilator



When all slots are filled with APK-K-DM1

Bend the claw inward from backside, then remove the bracket from the frame.
(APK-KF152, APK-KF226)

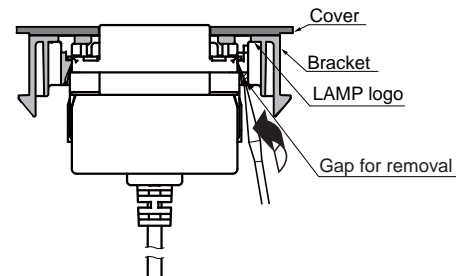


Combination of two series of brackets and ventilator on APK-KF226

Remove the ventilator first from the front side, then pull out the two brackets.

Removal of jack

Insert a minus driver to the gap for removal, then remove the jack by turning the driver.



SUGATSUNE KOGYO CO.,LTD
Tokyo, JAPAN

Phone: +81 (0)3 3866 2260 E-mail:export@sugatsune.co.jp

SUGATSUNE KOGYO (UK) LTD
Reading, UK

Phone: +44 118 9272 955 E-mail:sales@sugatsune.co.uk

SUGATSUNE EUROPE GmbH
Düsseldorf, GERMANY

Phone: +49 211 53812900 E-mail:sales@sugatsune.eu

ISO9001(Japan Offices and Sugatsune America) and ISO14001(Chiba Production division and Logistics center), certified.

SUGATSUNE SHANGHAI Co., LTD
Shanghai, CHINA

Phone: +86 21 3632 1858 E-mail:lamp@sugatsune.com.cn

Guangzhou, CHINA

Phone: +86 20 6639 3552 E-mail:lamp@sugatsune.com.cn

SUGATSUNE KOGYO INDIA PRIVATE LIMITED
Mumbai, INDIA

Phone: +91 22 28314490/91 E-mail:sales@sugatsune.in

SUGATSUNE AMERICA, INC
California, USA

Phone: +1 310 329 6373 E-mail:sales@sugatsune.com

Chicago, USA

Phone: +1 312 461 1081 E-mail:chicagoshowroom@sugatsune.com.

SUGATSUNE CANADA, INC.

Phone: +1 514 312 5267 E-mail:support@sugatsune.ca

2018.02 1207-1