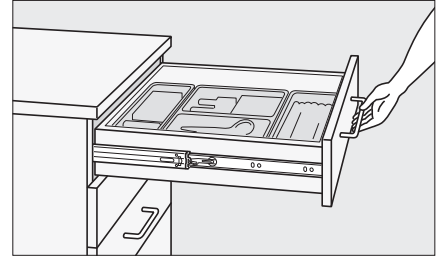




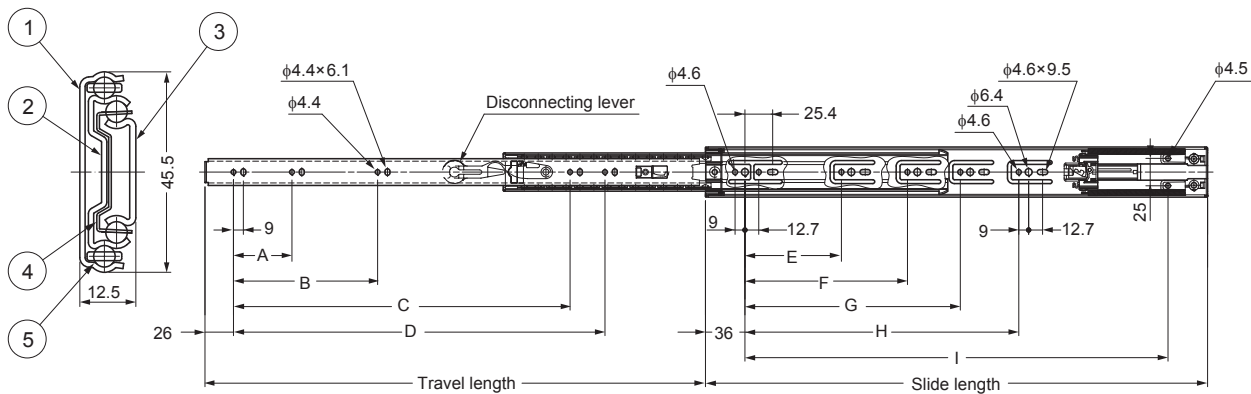
Thank you for selecting our product. Before starting installation, please read this manual thoroughly to ensure correct installation. Please keep this manual at hand for future reference.

### ABOUT THE PRODUCT

- Side mount drawer slide with soft-closing mechanism.
- The drawer is detachable by operating the lever.

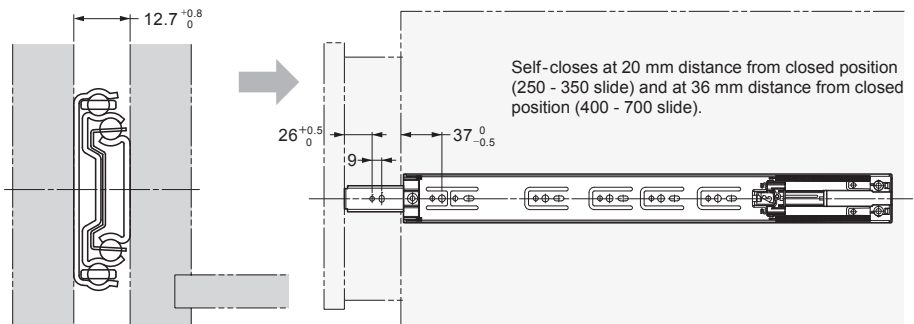


### DIMENSIONS, SPECIFICATIONS



No.	Part name
①	Outer member
②	Intermediate member
③	Inner member
④	Retainer
⑤	Balls

● Non-handed

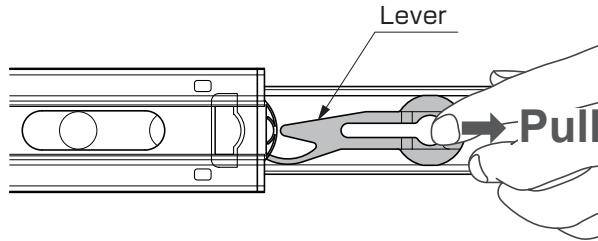


Item number	slide length	Travel length	A	B	C	D	E	F	G	H	I	Load capacity N(kgf)/pair
4670-250	250	175	-	-	124	-	87	-	-	-	179	150(15)
4670-300	300	275	-	-	174	-	119	-	-	-	229	200(20)
4670-350	350	353	96	-	224	-	119	183	-	-	279	250(25)
4670-400	400	404	96	-	254	-	119	199	-	-	329	250(25)
4670-450	450	455	128	-	294	-	119	247	-	-	379	300(30)
1670-500	500	505	96	160	344	-	119	295	-	-	429	350(35)
4670-550	550	556	96	160	394	-	119	215	343	-	479	400(40)
4670-600	600	606	128	192	444	-	119	215	343	-	529	300(30)
4670-650	650	653	128	224	416	494	119	215	343	439	579	300(30)
4670-700	700	704	128	224	480	544	119	215	343	487	629	300(30)

## 1 Detaching Slides

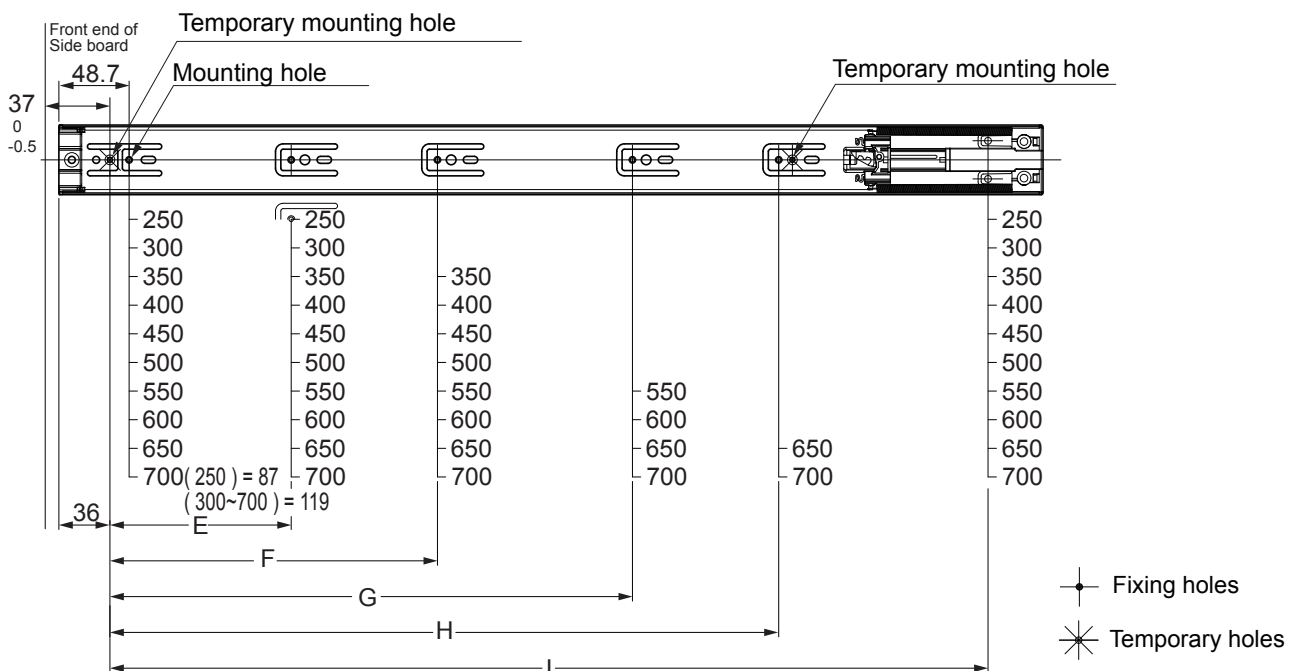
Pull out inner member until it stops, then operate the disconnect lever to detach.

How to detach



## 2 Positioning / mounting Outer Member

Correct installation is necessary to enjoy proper soft-close function. Mount the slides and make adjustments as follows.

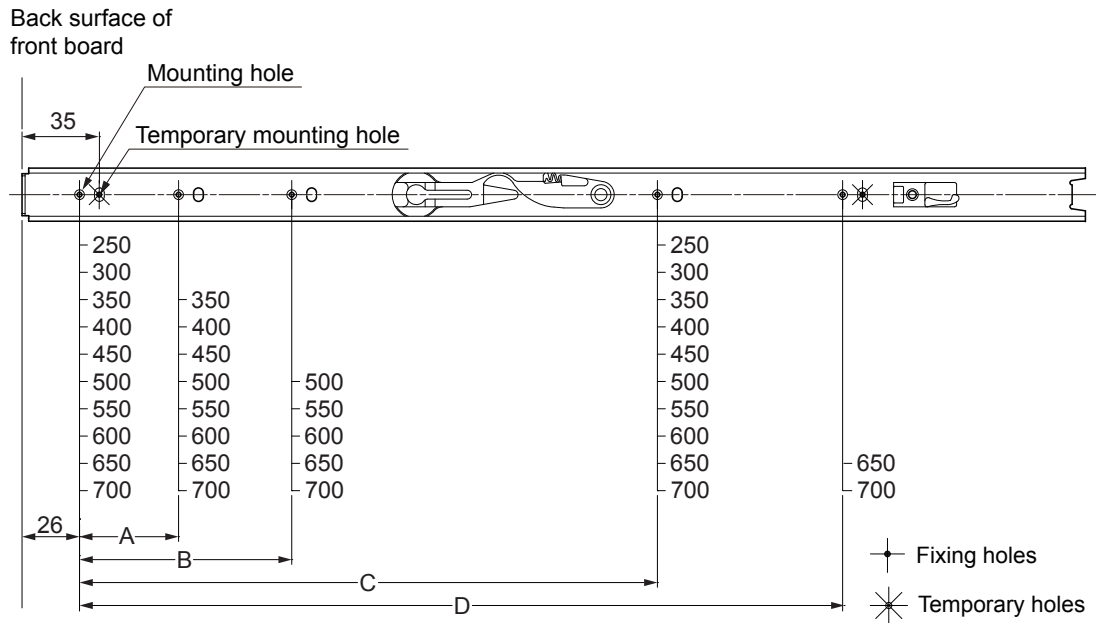


- ① Mark the positions of the slides on the inside of the cabinet and fit using the temporary mounting holes to give a little bit of adjustment.
- ② Do not fully tighten the screws just yet. Level up and fix using the round holes and tighten all screws.

Notes:

- Move the intermediate member to screw the holes through the access holes.
- Refer to page 1 about the dimensions E, F, and G.

### 3 Detaching Slides

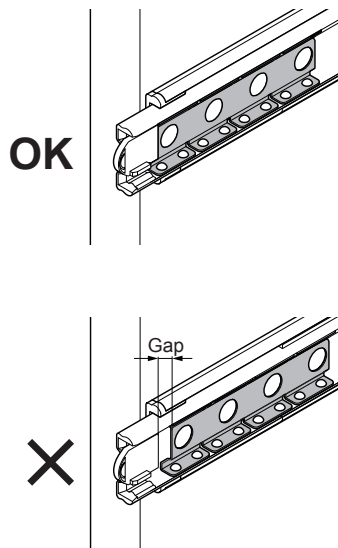
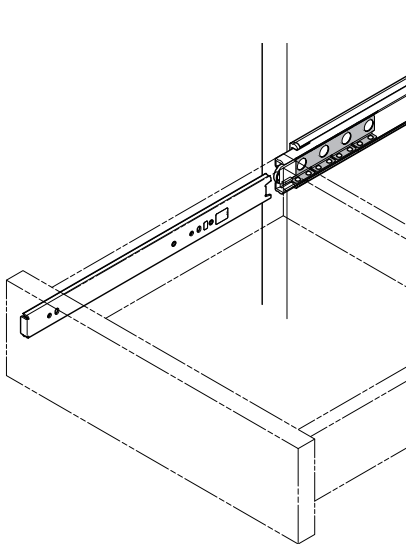


- ① Fit the inner member to the side of the drawer, either on or just below the center line for optimum stability.
- ② Level up and fix using the temporary mounting holes and tighten screws to fixing holes.

Notes:

- Refer to page 1 about the dimensions A to D.

### 4 Insert Drawer to Cabinet



- ① Position ball retainers to the front end.
- ② Insert inner members of drawer to the retainers.
- ③ Check slide movement and soft-close motion if it works properly, then make adjustments if necessary.
- ④ Fix all screws on all of the slide members.

# MEMO

---

---

**SUGATSUNE KOGYO CO.,LTD****Tokyo, JAPAN**

Phone: +81 (0)3 3866 2260 E-mail:export@sugatsune.co.jp

**SUGATSUNE KOGYO (UK) LTD****Reading, UK**

Phone: +44 118 9272 955 E-mail:sales@sugatsune.co.uk

**SUGATSUNE EUROPE GmbH****Düsseldorf, GERMANY**

Phone: +49 211 53812900 E-mail:sales@sugatsune.eu

**SUGATSUNE SHANGHAI Co., LTD****Shanghai, CHINA**

Phone: +86 21 3632 1858 E-mail:lamp@sugatsune.com.cn

**Guangzhou, CHINA**

Phone: +86 20 6639 3552 E-mail:lamp@sugatsune.com.cn

**SUGATSUNE KOGYO INDIA PRIVATE LIMITED****Mumbai, INDIA**

Phone: +91 22 28314490/91 E-mail:sales@sugatsune.in

**SUGATSUNE AMERICA, INC****California, USA**

Phone: +1 310 329 6373 E-mail:sales@sugatsune.com

**Chicago, USA**

Phone: +1 312 461 1081 E-mail:chicagoshowroom@sugatsune.com.

**SUGATSUNE CANADA, INC.**

Phone: +1 514 312 5267 E-mail:support@sugatsune.ca

ISO9001(Japan Offices and Sugatsune America) and ISO14001(Chiba Production division and Logistics center), certified.

2017.10 1179-1