

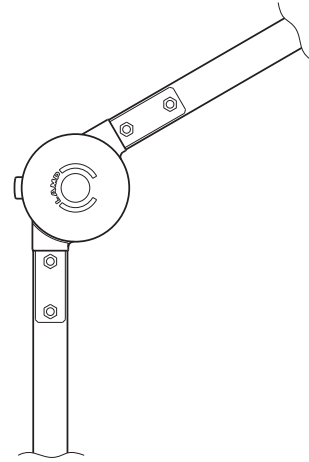
LAMP® KA-60 MULTI ANGLE STAY INSTALLATION MANUAL

ABOUT THE PRODUCT

- Stay to hold two pipes at 0° - 180° in 10° increments
- Completely locked when your hands are off the release button.

SPECIFICATIONS

Load Capacity	25 N·m
Applicable Pipe	φ19.1 × t1.2
Applicable Angle	0° - 180°

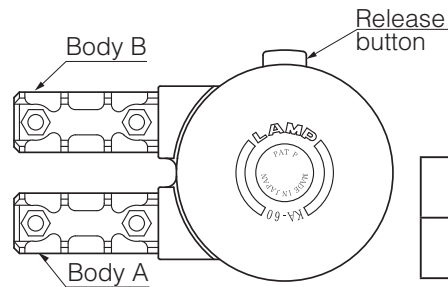


SAFETY PRECAUTIONS

⚠ Caution

- ❗ Do not disassemble the product.
- ⊘ Do not exceed the load capacity (25 N·m) as this may result in damage.

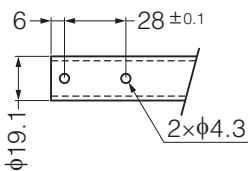
COMPONENT PARTS



Screw M4x16	4
Nut M4	4

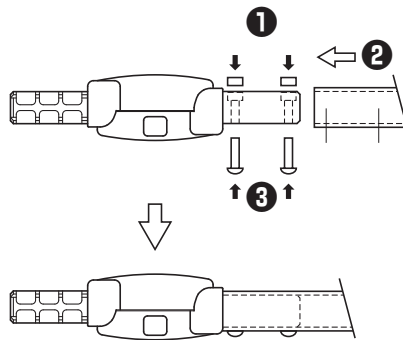
ASSEMBLY INSTRUCTIONS

■ Hole Processing on Pipe



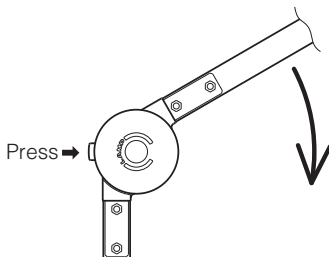
Applicable Pipe: φ19.1 × t1.2
The holes should be located at 45° position from weld bead, if any.

■ Assembling Pipe



- 1 Insert two nuts into the hexagonal holes on body A and body B.
- 2 Insert pipes into body A and body B, then align the holes on the pipes to the screw holes on body A and body B.
- 3 Fix the pipes with provided screws firmly.

HOW TO SET THE ANGLE



Press and hold release button just before the desired angle, then release the button and turn the stay until it is locked.
Ensure that the button is fully released.
19 locked positions from 0 to 180° in 10° increments.

SUGATSUNE KOGYO CO.,LTD

Tokyo, JAPAN

Phone: +81 (0)3 3866 2260 E-mail:export@sugatsune.co.jp

SUGATSUNE KOGYO (UK) LTD

Reading, UK

Phone: +44 118 9272 955 E-mail:sales@sugatsune.co.uk

SUGATSUNE EUROPE GmbH

Düsseldorf, GERMANY

Phone: +49 211 53812900 E-mail:sales@sugatsune.eu

ISO9001(Japan Offices and Sugatsune America) and ISO14001(Chiba Production division and Logistics center), certified.

SUGATSUNE SHANGHAI Co., LTD

Shanghai, CHINA

Phone: +86 21 3632 1858 E-mail:lamp@sugatsune.com.cn

Guangzhou, CHINA

Phone: +86 20 6639 3552 E-mail:lamp@sugatsune.com.cn

SUGATSUNE KOGYO INDIA PRIVATE LIMITED

Mumbai, INDIA

Phone: +91 22 28314490/91 E-mail:sales@sugatsune.in

SUGATSUNE AMERICA, INC

California, USA

Phone: +1 310 329 6373 E-mail:sales@sugatsune.com

Chicago, USA

Phone: +1 312 461 1081 E-mail:chicagoshowroom@sugatsune.com.

SUGATSUNE CANADA, INC.

Phone: +1 514 312 5267 E-mail:support@sugatsune.ca