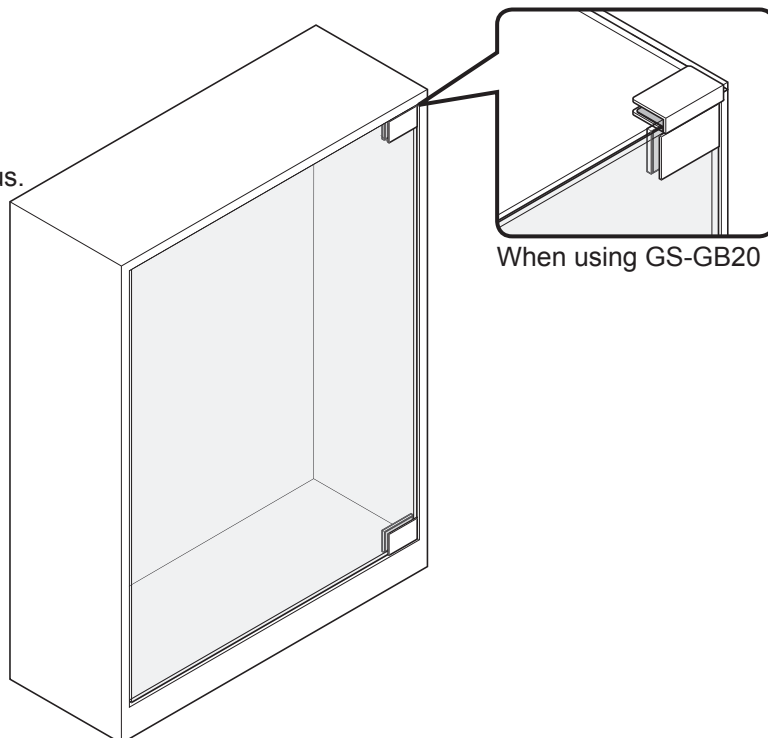


LAMP® GS-GH20 Glass Pivot Hinge, GS-GB20 Glass Bracket Installation Manual

Thank you for selecting our product. Before starting installation, please read this manual thoroughly to ensure correct installation. Please keep this manual at hand for future reference.

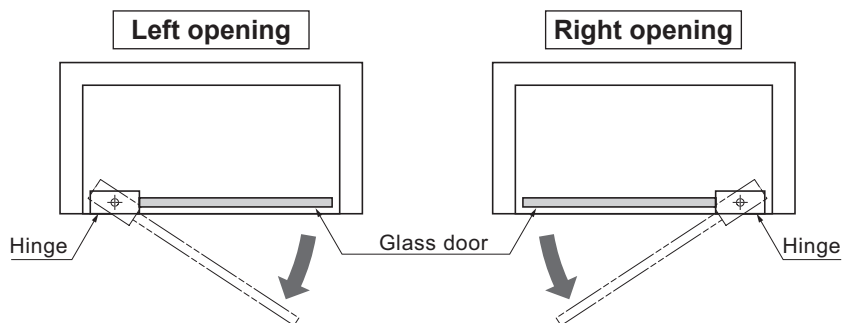
ABOUT THE PRODUCT

- Pivot hinge for glass show case
- Door can be mounted with assembled hinges.
- Horizontal door position is adjustable at mounted status.
- Vertical door position can be adjusted by adding a washer or a spacer.
- Hinges, brackets and locks with same design concept.



SPECIFICATIONS

Door size	W700 × H1600
Door weight	Max. 20 kg
Glass thickness	6、8 mm (Door)
	8、10 mm (Top glass)



FOR YOUR SAFE WORK AND CORRECT INSTALLATION

Meaning of symbols

Warning Caution	Prohibited	Required
--------------------	------------	----------

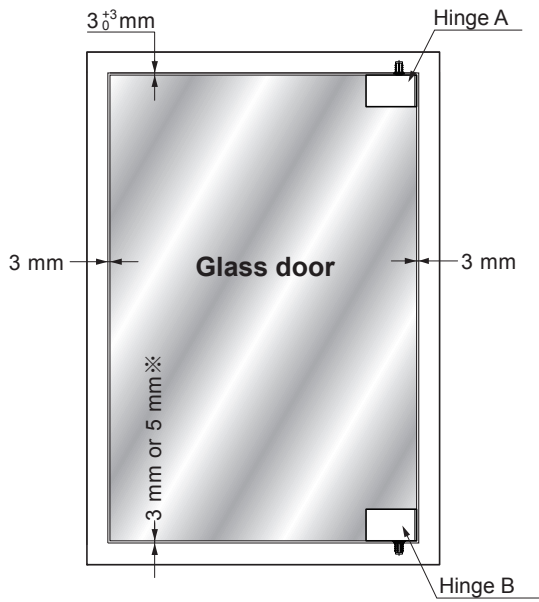
Caution If these cautions are not followed, it may result in injury or damage.

- ❗ Apply door stoppers to protect the hinges and glass door when closing.
- ❗ Prepare a cabinet which endures the weight of the door.
- ❗ Use a tempered glass. It is recommended to use shatter-proof film on the glass. For areas where the glass brackets grip, make sure to remove the shatter-proof film before installing.

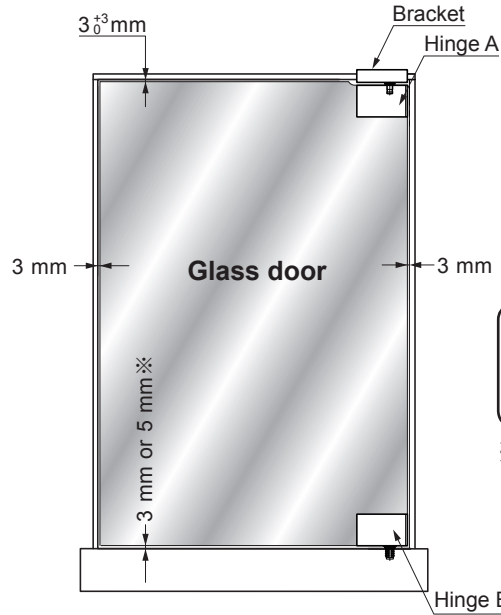
INSTALLATION DRAWING (EXAMPLE)

Right Opening Shown. A left opening door is the mirror opposite except with hinge A and B reversed on the left side.

[1] Wood Cabinet



[2] Glass Cabinet



⚠ Apply door stopper to protect the glass door from damage.

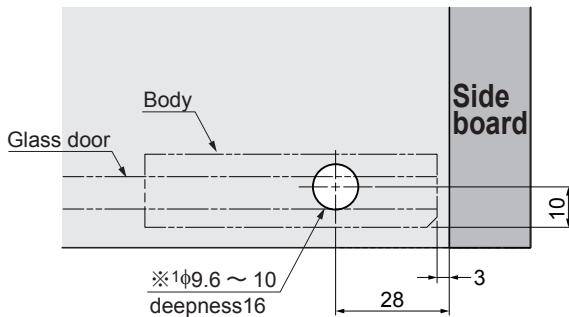
※ Vertical door position can be adjusted by adding a washer or a spacer.

DOOR AND CABINET PROCESS DIMENSIONS

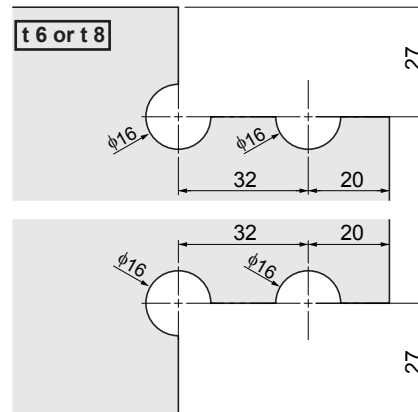
(Right opening Shown. The left opening is a mirror image.)

Wood top board and Wood bottom board

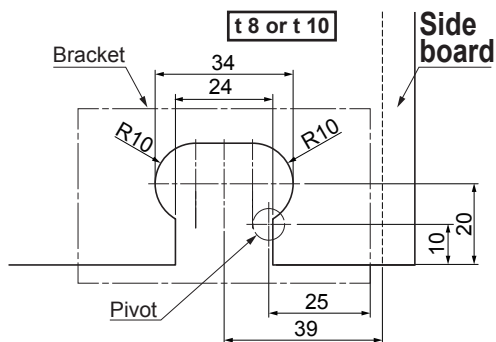
※ ¹ Use hardwood or reinforce this part with adhesive to prevent the insert nut from loosening.



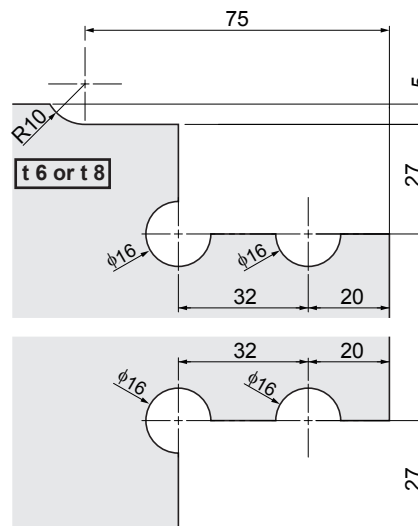
Glass door for wood top board



Glass top board (for GS-GB20)



Glass door for glass top board

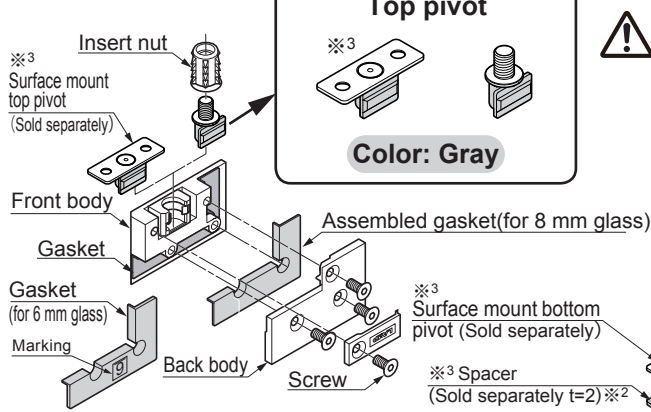


COMPONENT PARTS (PER BOX)

※ 3 These parts are under development.

Hinge GS-GH20 Right opening shown. A left opening door is the mirror opposite except with hinge A and B reversed on the left side.

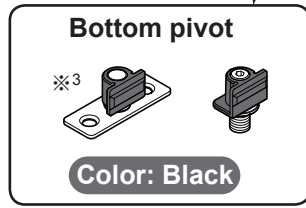
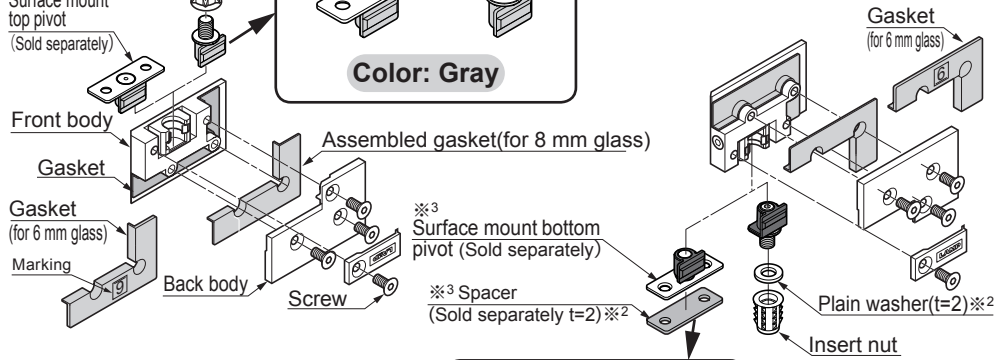
[1] Hinge A



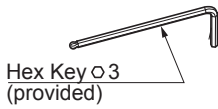
[2] Hinge B



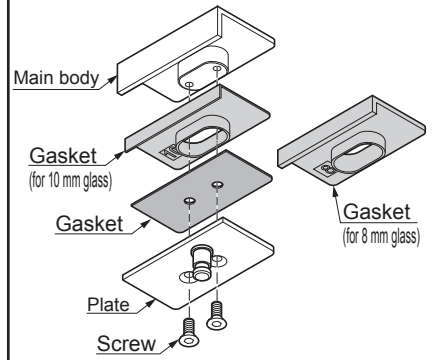
※2 Door bottom gap can be increased by adding these parts.



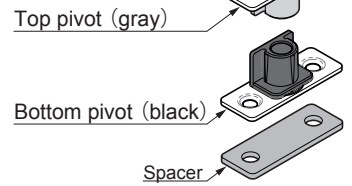
Do not disassemble this part.



Bracket GS-GB20 (Right opening)



※3 Surface mount pivot (Sold separately) (Under development)

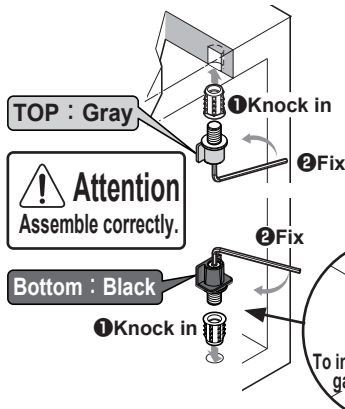


INSTALLATION

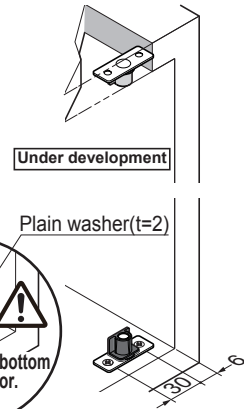
Hinge GS-GH20 (Right opening)

1 Installing pivot

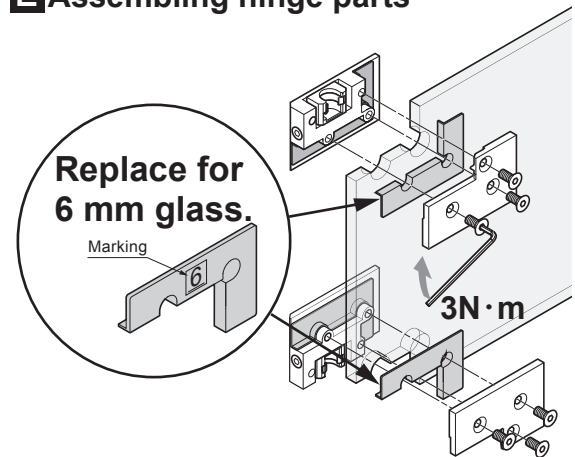
Pivot with insert nut



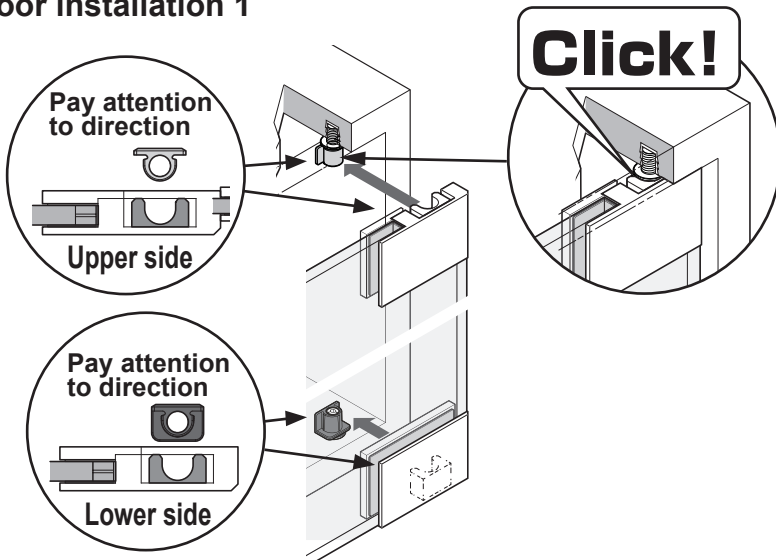
Surface mount pivot



2 Assembling hinge parts

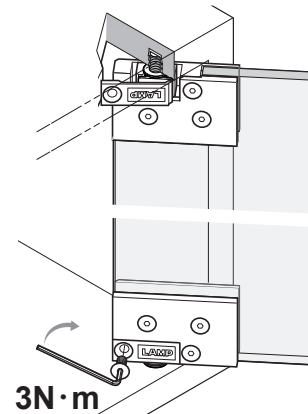


3 Door installation 1



4 Door installation 2

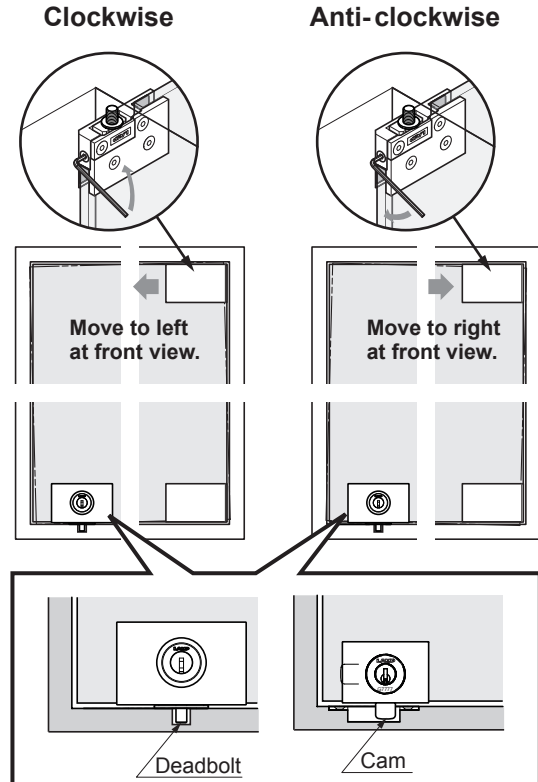
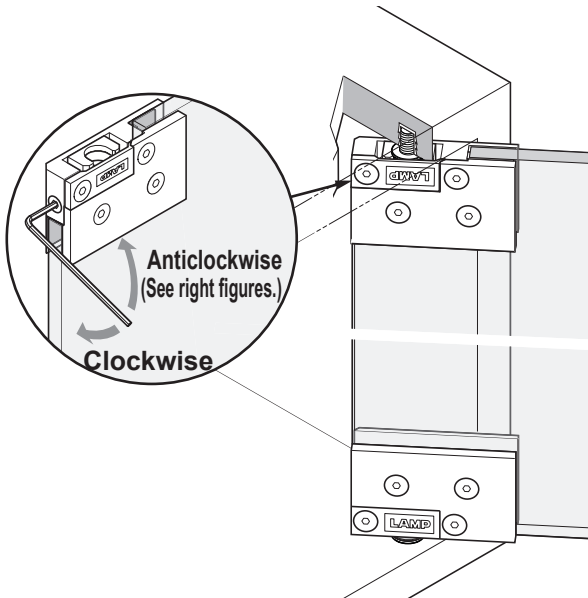
Below figure shows opened status.



5 Door adjustment (±3 mm)

CAUTION
Do not turn adjustment screw beyond adjustment range.

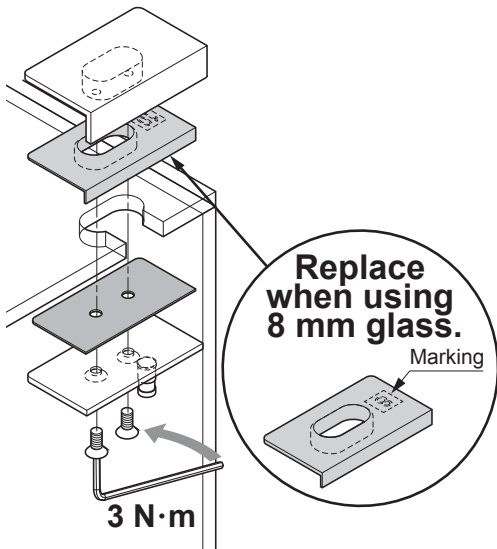
CAUTION
Do not use motor screw driver.



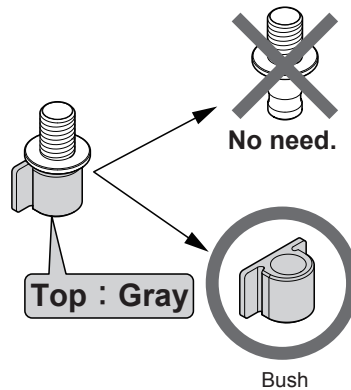
For doors with a cam lock, check the movement of the deadbolt or cam when adjusting door position.

INSTALLATION Bracket GS-GB20

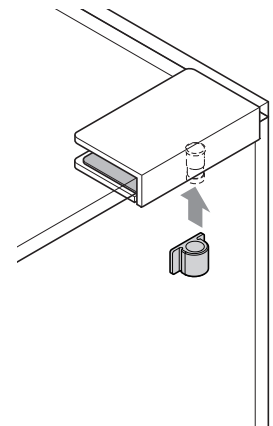
1 Assembling bracket parts



2 Disassembling top pivot



3 Assembling bush



Door mount (See page3 3, to page4 5.)

SUGATSUNE KOGYO CO.,LTD
Tokyo, JAPAN
Phone: +81 (0)3 3866 2260 E-mail:export@sugatsune.co.jp

SUGATSUNE KOGYO (UK) LTD
Reading, UK
Phone: +44 118 9272 955 E-mail:sales@sugatsune.co.uk

SUGATSUNE SHANGHAI Co., LTD
Shanghai, CHINA
Phone: +86 21 3632 1858 E-mail:lamp@sugatsune.com.cn

Guangzhou, CHINA
Phone: +86 20 6639 3552 E-mail:lamp@sugatsune.com.cn

SUGATSUNE AMERICA, INC
California, USA
Phone: +1 310 329 6373 E-mail:sales@sugatsune.com

Chicago, USA
Phone: +1 312 461 1081 E-mail:chicagoshowroom@sugatsune.com.

SUGATSUNE EUROPE GmbH
Düsseldorf, GERMANY
Phone: +49 211 53812900 E-mail:sales@sugatsune.eu

SUGATSUNE KOGYO INDIA PRIVATE LIMITED
Mumbai, INDIA
Phone: +91 22 28314490/91 E-mail:sales@sugatsune.in

ISO9001(Japan Offices and Sugatsune America) and ISO14001(Chiba Production division and Logistics center), certified.

SUGATSUNE CANADA, INC.
Phone: +1 514 312 5267 E-mail:support@sugatsune.ca