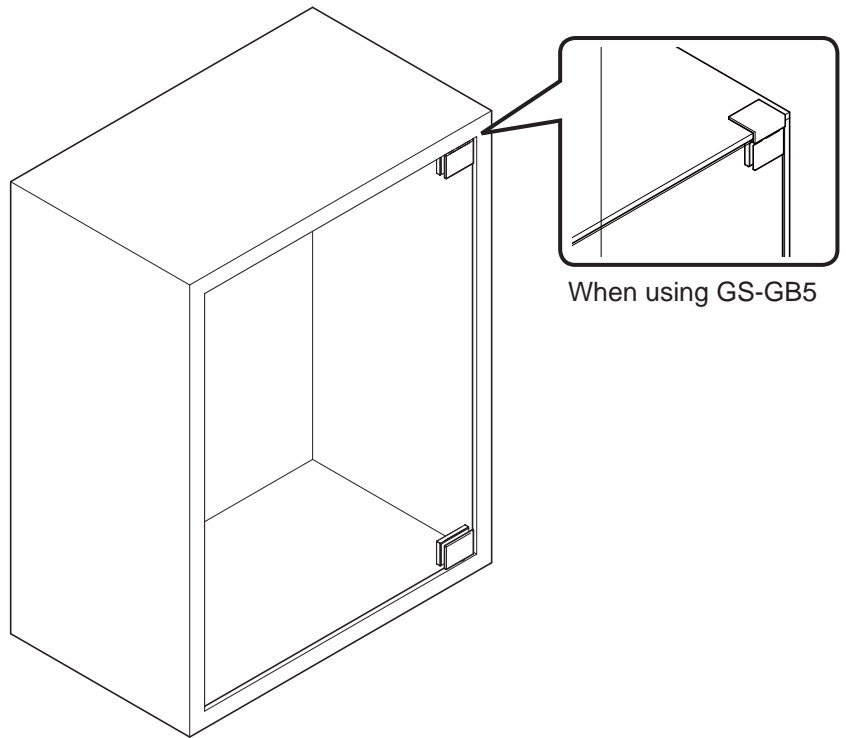


# LAMP® GS-GH5 Glass Pivot Hinge, GS-GB5 Glass Bracket Installation Manual

Thank you for selecting our product. Before starting installation, please read this manual thoroughly to ensure correct installation. Please keep this manual at hand for future reference.

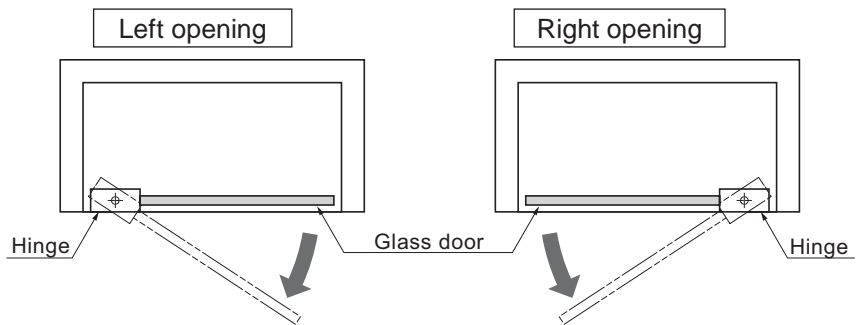
## ABOUT THE PRODUCT

- Pivot hinge for glass show case
- Door can be mounted with assembled hinges.
- Door position is adjustable at mounted status.
- Hinges, brackets and locks with same design concept.



## SPECIFICATIONS

Door size	W450 x H600
Door weight	Max. 5 kg
Glass thickness	5 or 6 mm (Door)
	8 mm (Top glass)



## FOR YOUR SAFE WORK AND CORRECT INSTALLATION

### Meaning of symbols

Warning Caution	Prohibited	Required
--------------------	------------	----------

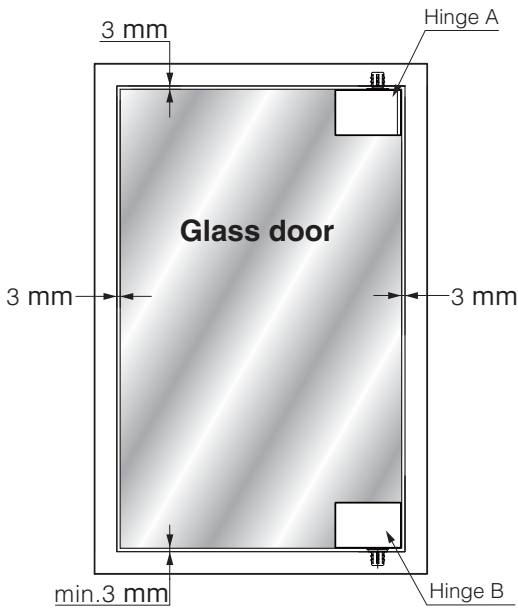
**⚠ Caution** If these cautions are not followed, it may result in injury or damage.

- ❗ Apply door stoppers to protect the hinges and glass door, when closing .
- ❗ Prepare a cabinet which endures the weight of the door.
- ❗ Use a tempered glass. It is recommended to use shatter-proof film on the glass. For areas where the glass brackets grip, make sure to remove the shatter-proof film before installing.

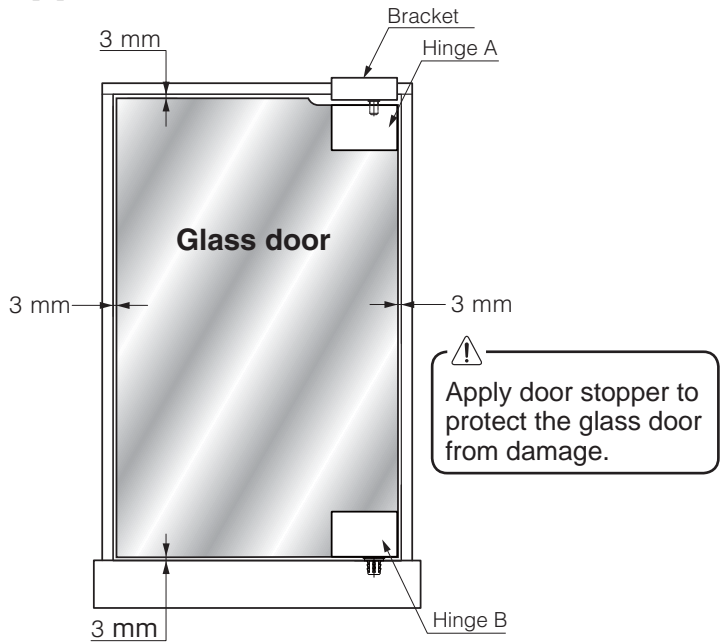
# INSTALLATION DRAWING (EXAMPLE)

Right Opening Shown. The left opening is a mirror image.  
However, hinge A and hinge B should be reversed at left opening.

## [1] Wood Cabinet



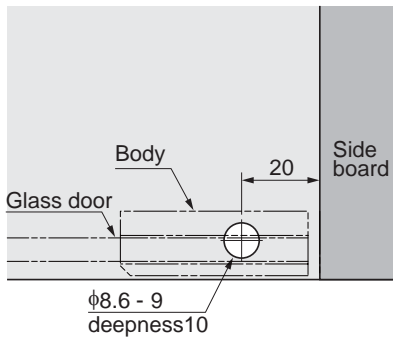
## [2] Glass Cabinet



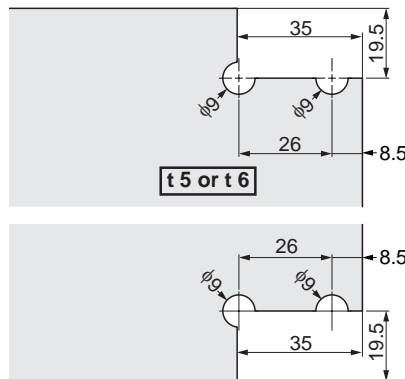
# DOOR AND CABINET PROCESS DIMENSIONS

(Right opening Shown. The left opening is a mirror image.)

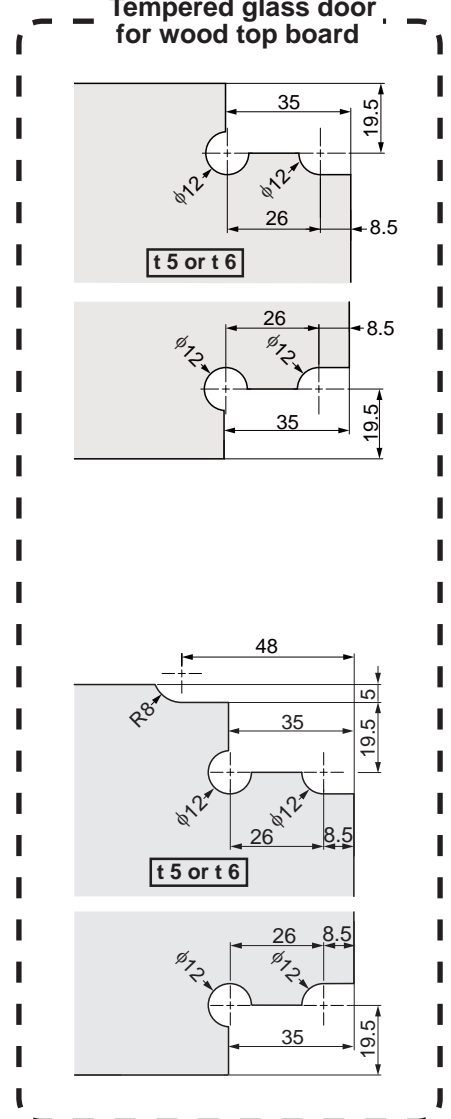
### Wood top board and Wood bottom board



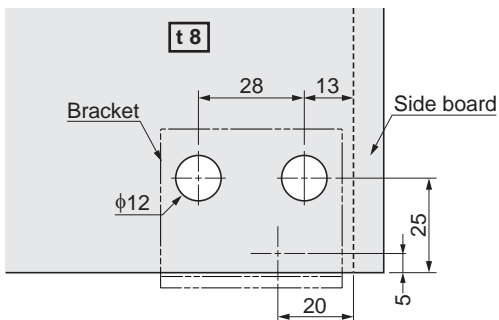
### Glass door for wood top board



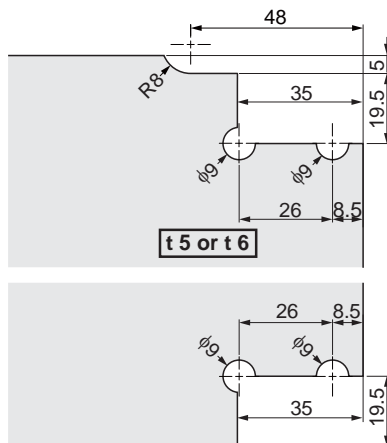
### Tempered glass door for wood top board



### Glass top board (for GS-GB5)



### Glass door for glass top board

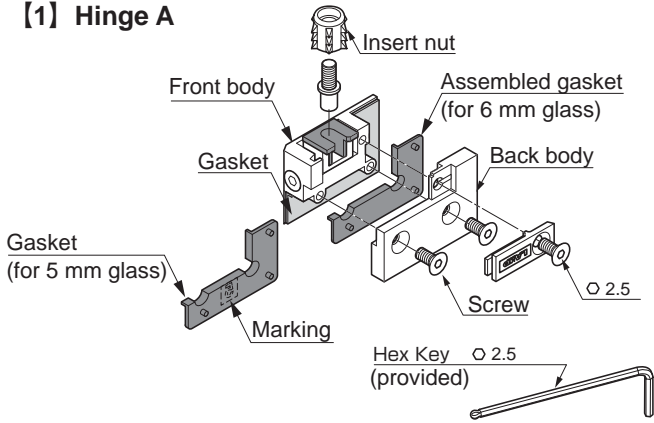


## COMPONENT PARTS (PER BOX)

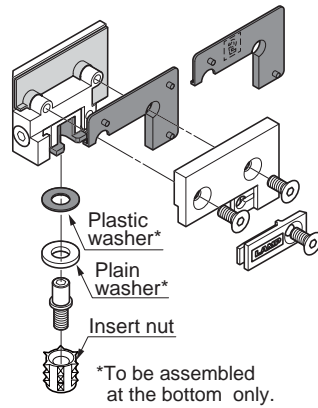
### Hinge GS-GH05

Right opening shown. The left opening is a mirror image. However, hingeA and hingeB should be reversed at left opening.

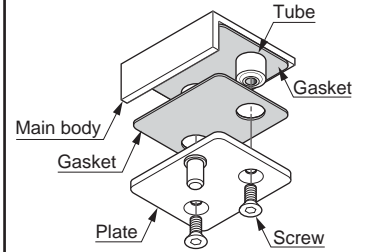
#### [1] Hinge A



#### [2] Hinge B

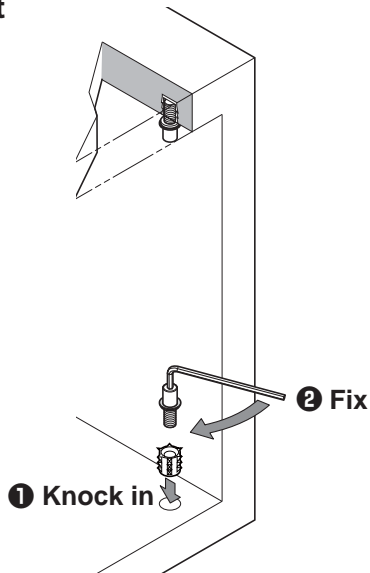


### Bracket GS-GB5

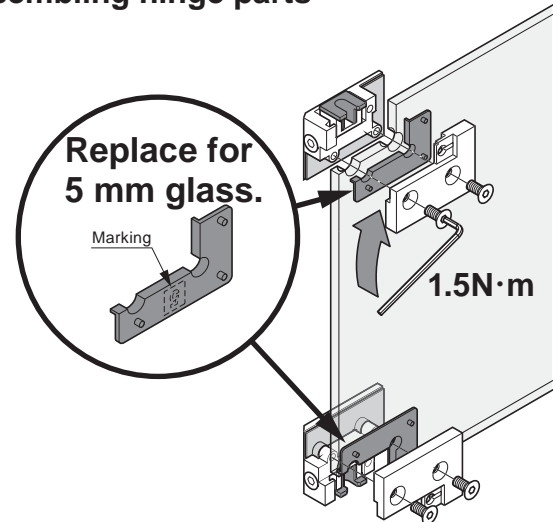


## INSTALLATION Hinge GS-GH5 (Right opening)

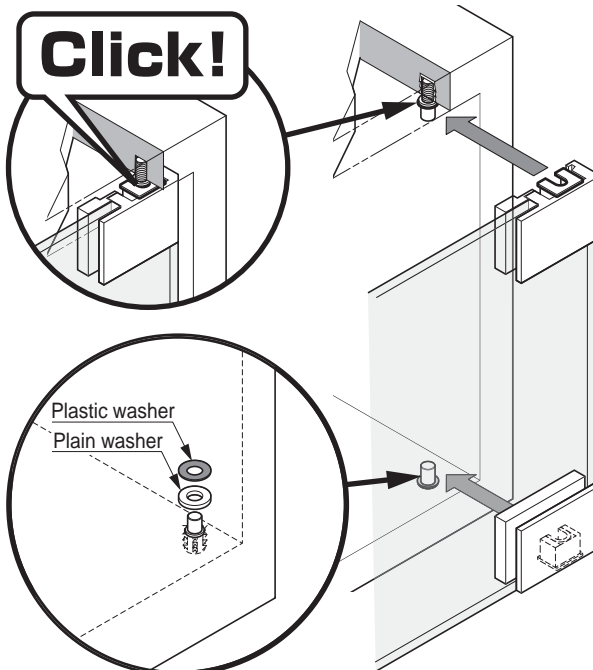
### 1 Installing pivot



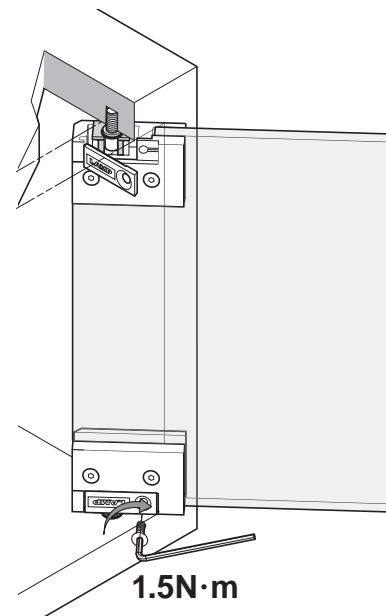
### 2 Assembling hinge parts



### 3 Door installation 1



### 4 Door installation 2



## 5 Door adjustment ( $\pm 2.5$ mm)

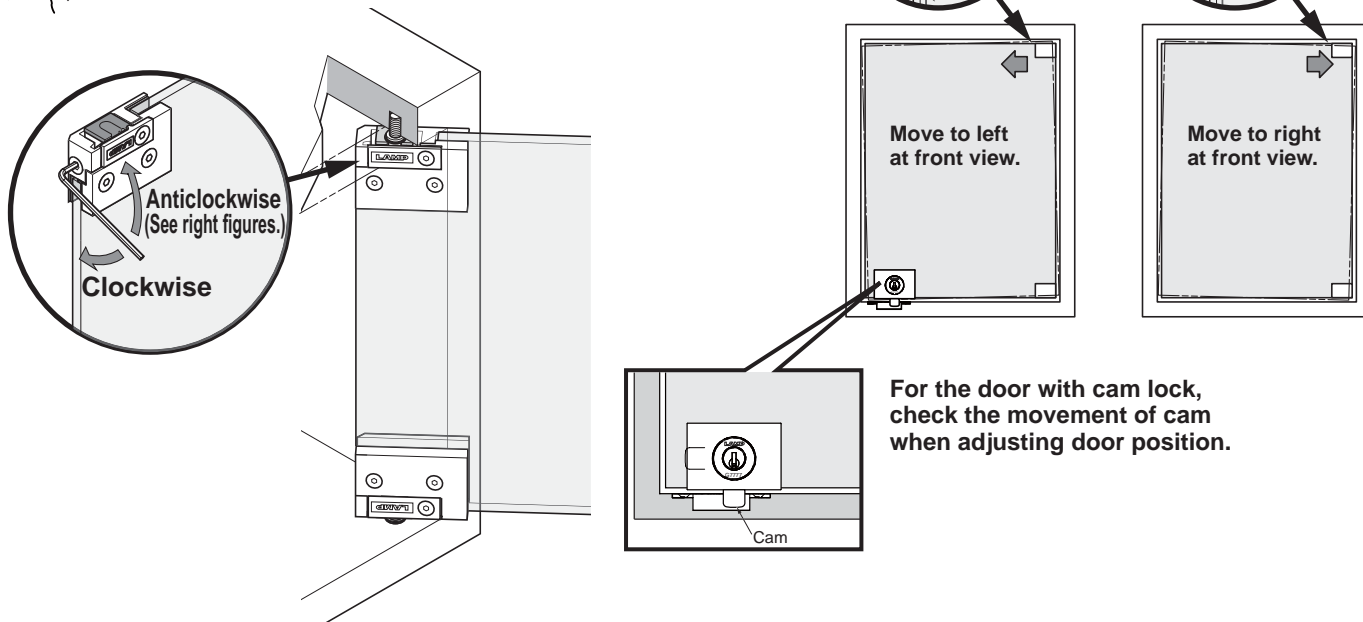
### CAUTION

Do not turn adjustment screw beyond adjustment range.



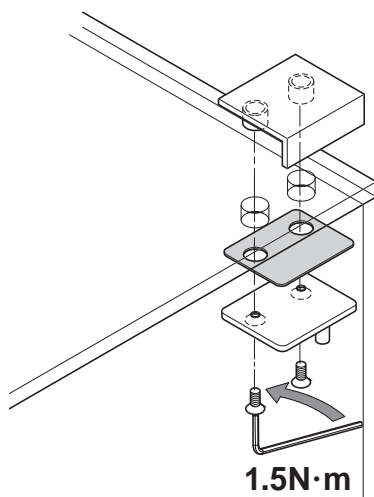
### CAUTION

Do not use motor screw driver.

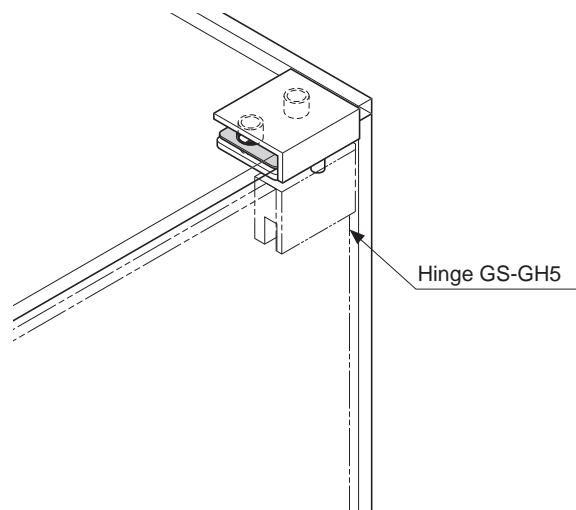


## INSTALLATION Bracket GS-GB5

### 1 Assembling bracket parts



### 2 Door mount (See page3 3, to page4 5.)



#### SUGATSUNE KOGYO CO.,LTD

Tokyo, JAPAN

Phone: +81 (0)3 3866 2260 E-mail:export@sugatsune.co.jp

#### SUGATSUNE KOGYO (UK) LTD

Reading, UK

Phone: +44 118 9272 955 E-mail:sales@sugatsune.co.uk

#### SUGATSUNE EUROPE GmbH

Düsseldorf, GERMANY

Phone: +49 211 53812900 E-mail:sales@sugatsune.eu

#### SUGATSUNE SHANGHAI Co., LTD

Shanghai, CHINA

Phone: +86 21 3632 1858 E-mail:lamp@sugatsune.com.cn

#### Guangzhou, CHINA

Phone: +86 20 6639 3552 E-mail:lamp@sugatsune.com.cn

#### SUGATSUNE KOGYO INDIA PRIVATE LIMITED

Mumbai, INDIA

Phone: +91 22 28314490/91 E-mail:sales@sugatsune.in

#### SUGATSUNE AMERICA, INC

California, USA

Phone: +1 310 329 6373 E-mail:sales@sugatsune.com

#### Chicago, USA

Phone: +1 312 461 1081 E-mail:chicagoshowroom@sugatsune.com.

#### SUGATSUNE CANADA, INC.

Phone: +1 514 312 5267 E-mail:support@sugatsune.ca

ISO9001(Japan Offices and Sugatsune America) and ISO14001(Chiba Production division and Logistics center), certified.

2018.02 1075-4