
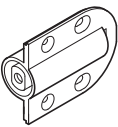
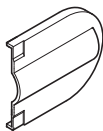



LAMP® HG-JHM20 DAMPER HINGE INSTALLATION INSTRUCTIONS (For wood use.)

Read instructions thoroughly before installation.

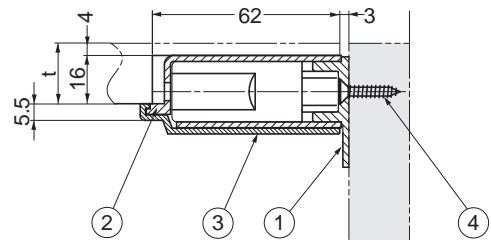
- Caution :**
- For indoor use only.
 - Not water resistant.
 - Do not use in high temperature environment.

PARTS :

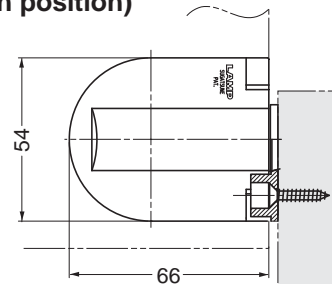
No.	Part Name	Qty.	
①	Mounting Plate	L/R 1 each	
②	Damper Bracket	L/R 1 each	
③	Cover	2	
④	Screw (4x20)	12	

Installation Diagram

(Lid, closed position)



(Lid, 90° open position)



Item	Cover color	Damper Torque N·m (kgf·cm)
HG-JHM20-80BL	black	6 - 8
HG-JHM20-80WT	white	(61.2 - 81.6)

Maximum Torque Moment Calculations

$$T = m \times 9.8 \times L$$

T : Maximum lid torque (N·m)

m : Lid weight (kg)

L : Distance from rotation centre to lid centre of gravity (m)

$$L = D/2 - A$$

D : Lid length (m)

A : Length of lid back from rotation centre (m)

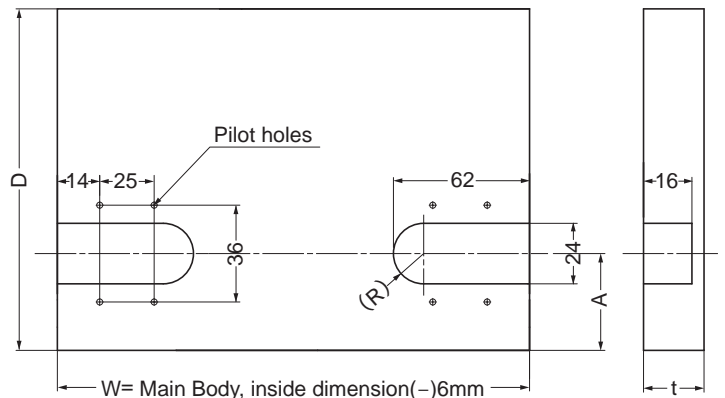
(Dimension A = 34~38 mm)

(Calculation example)

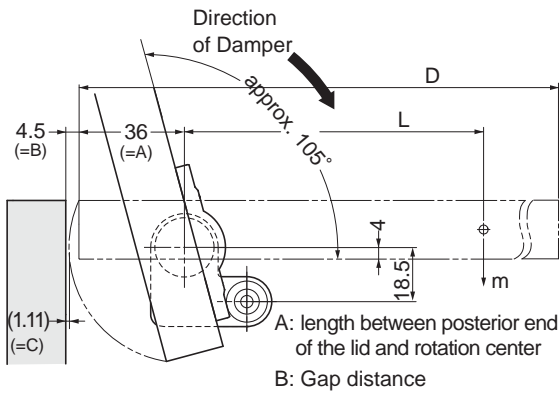
When D = 0.45 m, A = 0.036 m, m = 4.32 kg

$$T = 4.32 \times 9.8 \times (0.45 / 2 - 0.036) \doteq 8 \text{ N} \cdot \text{m}$$

Lid Preparation



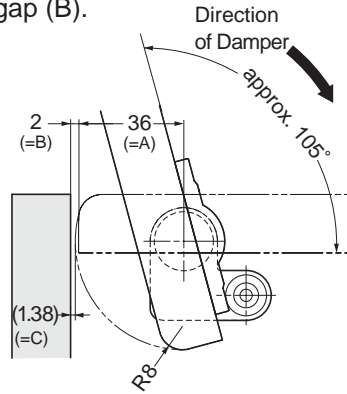
Standard Installation Specifications



- Above example shows the lid of 20 mm thickness.
- Make sure that the gap C when the lid is open is 1 mm or more.

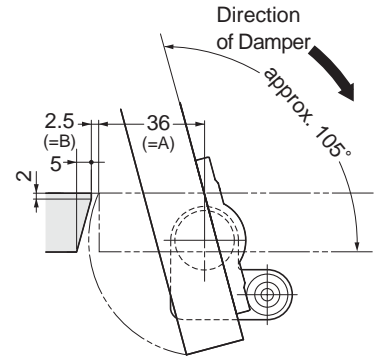
Rounded Lid Edge

Rounded back edge reduces the gap (B).



Tilted cut

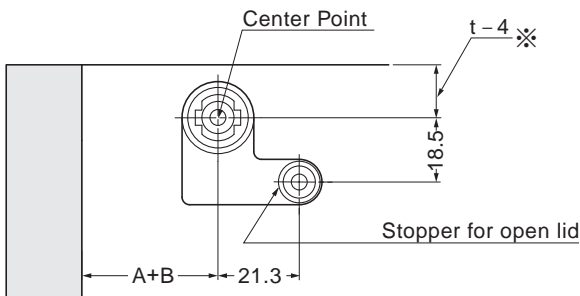
Tilted cut reduces the gap (B).



Installation

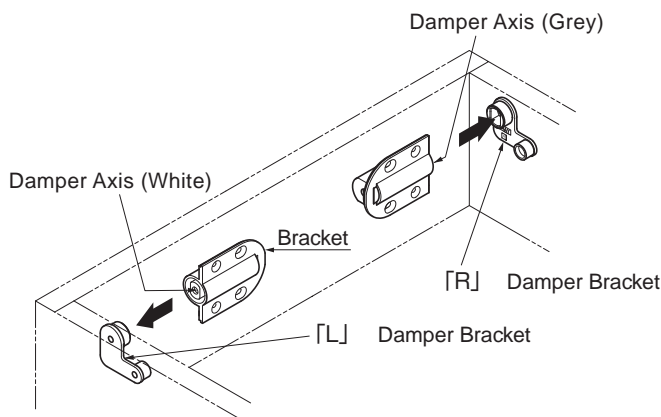
1. Mounting Plate Installation

- (1) Please drill 10 mm hole of 2.5 mm diameter as shown.
- (2) Fix location of mounting plate ① with provided screws. ④



※ : Given dimension when the upper part of lid and side panel are flash.

2. Bracket Assembly

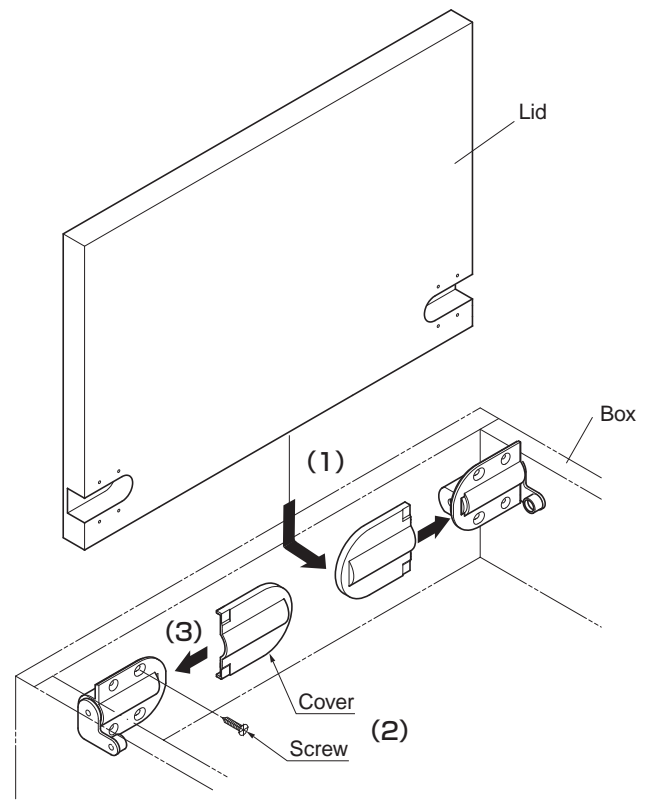


Damper Bracket [L] : Damper Axis Color - White
Damper Bracket [R] : Damper Axis Color - Grey

3. Lid and Bracket Cover Installation

(Refer to diagram below.)

- (1) Insert the lid vertically and mount onto brackets. ②
- (2) Fix with provided screws. ④
Close and open lid to check working damper.
- (3) Slide covers onto brackets.



SUGATSUNE KOGYO CO.,LTD
Tokyo, JAPAN
Phone: +81 (0)3 3866 2260 E-mail:export@sugatsune.co.jp
SUGATSUNE KOGYO (UK) LTD
Reading, UK
Phone: +44 118 9272 955 E-mail:sales@sugatsune.co.uk

SUGATSUNE EUROPE GmbH
Düsseldorf, GERMANY
Phone: +49 211 53812900 E-mail:sales@sugatsune.eu

SUGATSUNE SHANGHAI Co., LTD
Shanghai, CHINA
Phone: +86 21 3632 1858 E-mail:lamp@sugatsune.com.cn
Guangzhou, CHINA
Phone: +86 20 6639 3552 E-mail:lamp@sugatsune.com.cn

SUGATSUNE KOGYO INDIA PRIVATE LIMITED
Mumbai, INDIA
Phone: +91 22 28314490/91 E-mail:sales@sugatsune.in

SUGATSUNE AMERICA, INC
California, USA
Phone: +1 310 329 6373 E-mail:sales@sugatsune.com
Chicago, USA
Phone: +1 312 461 1081 E-mail:chicagoshowroom@sugatsune.com.

SUGATSUNE CANADA, INC.
Phone: +1 514 312 5267 E-mail:support@sugatsune.ca

ISO9001(Japan Offices and Sugatsune America) and ISO14001(Chiba Production division and Logistics center), certified.

2018.05 1026-2