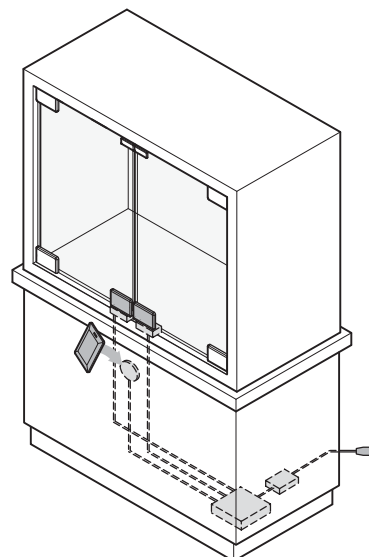


# EXCELOCK TOTAL LOCK NON-CONTACT ELECTRONIC LOCK SYSTEM INSTALLATION MANUAL

Thank you for selecting our product. Before starting installation, please read this manual thoroughly to ensure correct installation. Please keep this manual at hand for future reference.

## ABOUT THE PRODUCT

- This next-generation lock system is able to lock/unlock by just bringing a unit near antenna. When closing the door, it is automatically locked.
- It is applicable for sliding doors, and glass doors or show case. It can also be used on wooden doors or drawers.




## FOR YOUR SAFE WORK AND CORRECT

### Meaning of symbols

 <b>Warning Caution</b>	 <b>Prohibited</b>	 <b>Required</b>
--	---	---

 **WARNING** If these warnings are not followed, it may result in death or serious injury.

 **CAUTION** If these cautions are not followed, it may result in injury or damage.









### **WARNING**






- When installing this lock system, follow instructions on this instruction manual without mistake. Improper installation may cause damage, shock or fire. Pay deep attention on the strength of the installation area for this system component. Please consider part weight and operation force.
- This lock system is designed to use for cabinet furniture. Please avoid to use for other purpose.
- When installing this Excelock, correctly install referring the Installation manual of this system.
- During removal, installation and cleaning of this system, please turn off power source to avoid electric shock or fire.
- Do not disassemble, modify or repair to avoid fire, shock or injury.
- When you find abnormal state, immediately power off. And, contact to sales shop or electrical work shop.
- Do not use this lock system near inflammable material such as gasoline, inflammable spray or organic solvent to prevent fire.
- Do not fix the cord with staple, by desk leg. When stress is applied to the cord, it may be broken resulting in shock or fire.
- Do not use damaged or broken cord to avoid shock or fire.
- Do not pull the cord to pull out plug. The cord may be damaged resulting in shock or fire.
- Do not use at wet place. Do not handle plug with a wet hand.

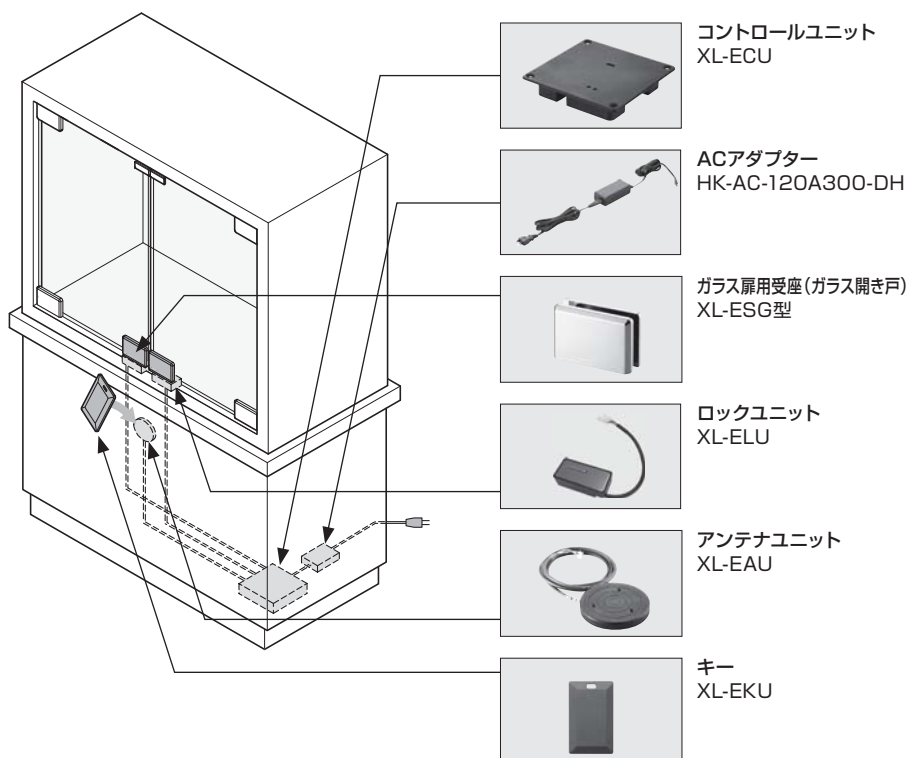
### **CAUTION**

- This lock system is designed to use for wood cabinets. Do not use for metal cabinets nor passage way.
- Do not apply excessive force to the lock. Do not drop or hit the lock system. Damage or injury may be resulted.
- Ambient temperature : 0 to 40°C
- Avoid rain and accessibly high humidity to prevent trouble.
- Storage temperature :-20 to 60°C
- Do not use the lock system with too much vibration or shock to avoid damage.
- Do not paint the lock to avoid damage.
- Do not use electric screwdriver for screws to avoid damage.
- Design the cabinets which enable the products to be replaceable.
- Do not locate metal products nearby antenna unit. It may cause malfunction.
- If there's any wireless communication device (Wi-Fi device or smartphone) is used nearby this system, malfunction may be caused.

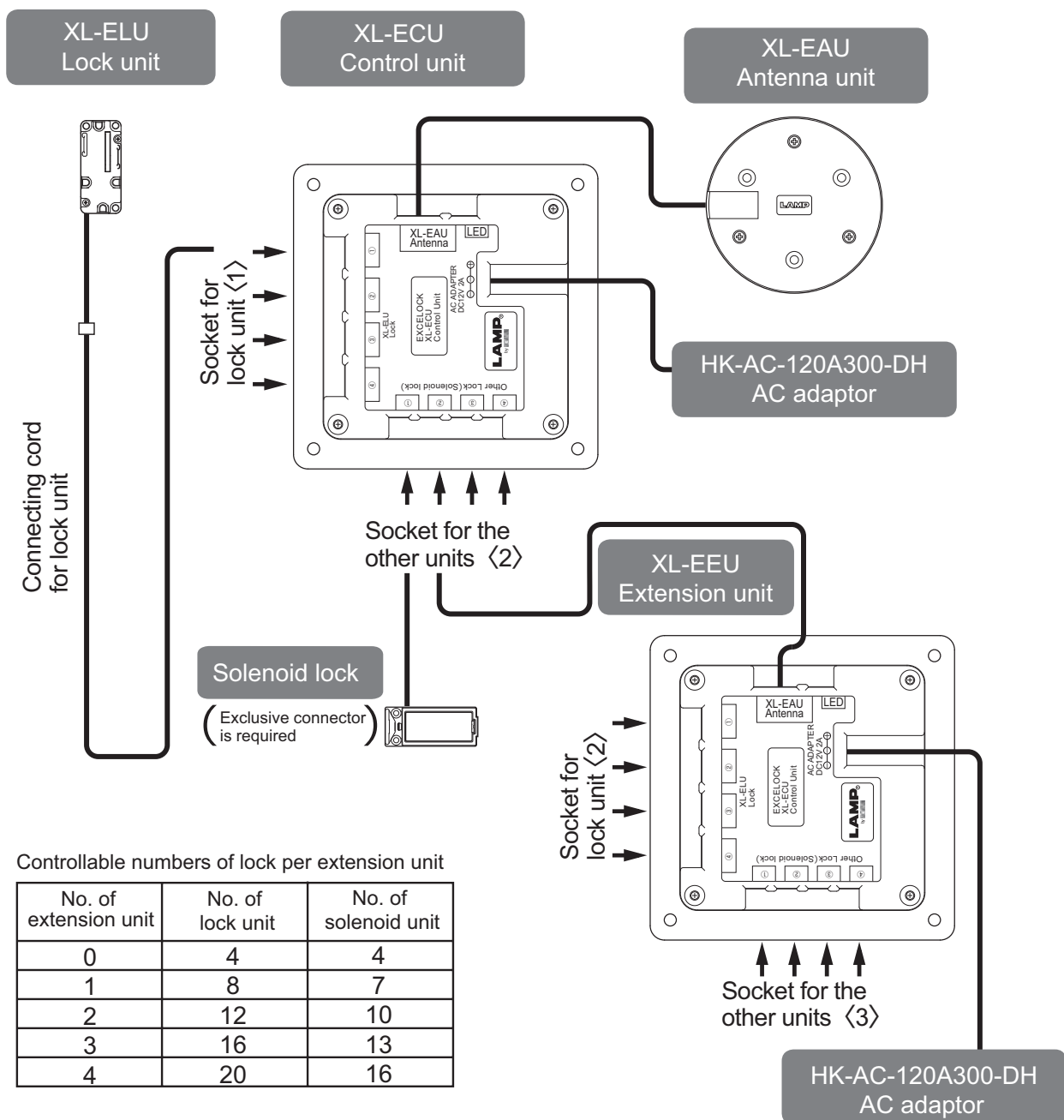
# 1 PARTS NAME AND SPECIFICATIONS

	Part Number	Part Name	Specifications
1	XL-ECU	Control unit 	External size:106.0(L)×106.0(W)×19.5(H) Material/Finish: ABS resin/Black Power source: DC12 V 3A Current consumption: Standby less than 20 mA/Working less than 1.9 A Accessory: 4 spacer pipe Countersunk head tapping screws 4×12 (4) Countersunk head tapping screws 4×30 (4)
2	XL-EAU	Antenna unit 	External size: 100.0 dia. × 12.5(H) Material/finish: ABS resin/Black Communication method: RF-ID(416kHz) Transmission intensity: Faint Transmission distance: 0-30 mm * Accessory: Antenna cable 1.5 m (1) Countersunk head flush tapping screw 4×20(3) *It may vary according to ambient temperature.
3	HK-AC-120A300-DH	AC adaptor 	External size: 110.0(L)×52.0(W)×31.5(H) *excluding cable Input: 100-240V AC 50-60Hz 105 Output: 12V DC 3A
4	XL-EEU	Extension unit 	External size:106.0(L)×106.0(W)×19.5(H) Material/Finish: ABS resin/Black Power source: DC12V 3A Current consumption: Standby less than 20 mA/Working less than 1.9 A Accessory: Cable for the unit 2m (1) spacer pipe (4) Countersunk head tapping screws 4×12 (4) Countersunk head flush tapping screws 4×30 (4)
5	XL-EKU	Key 	External size: 70.0 (L) × 43.3(W) × 5.4 (H) Material/finish: ABS resin/Black ID Q'ty: 10,000
6	XL-ELU	Lock unit 	External size:60.0(L)×26.0(W)×20.0(H) Material/Finish: Zinc alloy/Nickel plate Cord length: 200 mm, connecting cord :1000 mm Accessory: Rim bracket (1) Cover plate (1) Pan head tapping screw 3.5 ×12 (4) Pan head tapping screws 3.5×30 (3)
7	XL-ESG-R(right-open) XL-ESG-L (left-open)	Strike plate for glass door  XL-ESG-R is shown	External size:65.0(L)×26.0(W)×40.0(H) Material/Finish: Zinc alloy/Chrome plating Applicable glass thickness: 5, 6 and 8 Accessory: Adjusting spacer (4)
8	XL-ESW-R(right-open) XL-ESW-L (left-open)	Strike plate for wood door  XL-ESW-R is shown	External size:65.0(L)×28.0(W)×20.0(H) Material/Finish: Stainless steel/Natural Accessory: Pan head tapping screw 4×16 (3)

	Part Number	Part Name	Specifications
9	XL-EBSG	Strike plate glass mount bracket 	External size:66.0(L)×28.0(W)×20.0(H) Material/Finish: Zinc alloy/Chrome plating Applicable glass thickness: 5, 6 and 8 Accessory: Pan head screw M4×14 (2) Adjusting spacer (4) (XL-EBSG Used in combination with Strike plate for wood door)
10	XL-ESD	Drawer strike plate 	External size:64.0(L)×15.6(W)×46.0(H) Material/Finish: Stainless steel/Natural Accessory: Pan head tapping screw (pan head) 4×16 (3)
11	XL-ESG-SD	Strike plate for glass sliding door 	External size:65.0(L)×26.0(W)×40.0(H) Material/Finish: Zinc alloy/Chrome plating Applicable glass thickness: 8
12	XL-ELU-SDR(right-open) XL-ELU-SDL(left-open)	Lock unit for glass sliding door   XL-ELU-SDR(right-open) is shown	Glass slide door strike plate External size: 60.0(L)×26.0(W)×20.0(H) Material/Finish: Zinc alloy/Chrome plating accessory: Rim bracket (1) Cover plate (1) Pan head tapping screw(pan head) 3.5 ×12 (4) Pan head tapping screws (pan head) 3.5×30 (3)
13	XL-ELU-EC2000 XL-ELU-EC4000	Extension cord for lock unit 	Length: 2000 mm, 4000 mm



## 2 Connection of component parts



### ⚠ Caution

- ❗ Control unit need to be located in accessible place in order to enregister or deregister keys.
- ❗ Lock unit need to be unlocked after a trial. Malfunction is caused if a lock unit is switched on in locked status without strike plate coupled.
- ❗ Be sure to connect all units before power activation in order to avoid malfunction.

### Precautions for sockets

- <1> When using more than 4 lock units, be sure to connect 4 pcs to control, unit and connect the rest lock units to extension unit.
- <2> When using more than 4 solenoid locks, fill 4 sockets on control unit, then connect the rest solenoid locks to extension unit.
- <3> This socket is for solenoid lock only. Extension unit cannot be connected.

## 3 Installing components

### 3-1 Installing lock unit

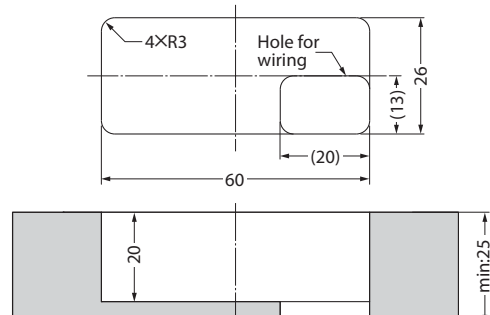
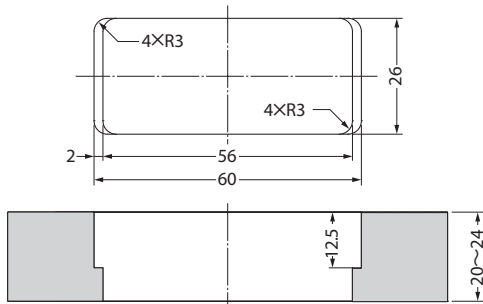
The position of lock unit installation depends upon door specification.

Five installation cases are explained as in the following (from 3-2 to 3-6). Please refer the case for your installation.

- 3-2 Installation of the strike plate on glass door
- 3-3 Installation of the support on wood door
- 3-4 Installation of strike plate glass installation bracket
- 3-5 Installation of drawer strike plate
- 3-6 Installation of lock set for glass sliding door

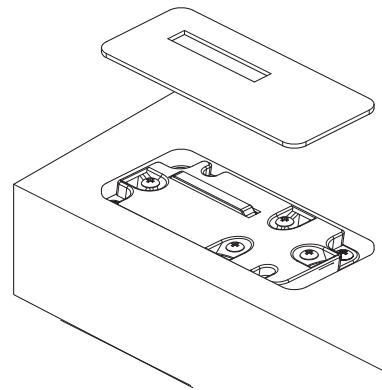
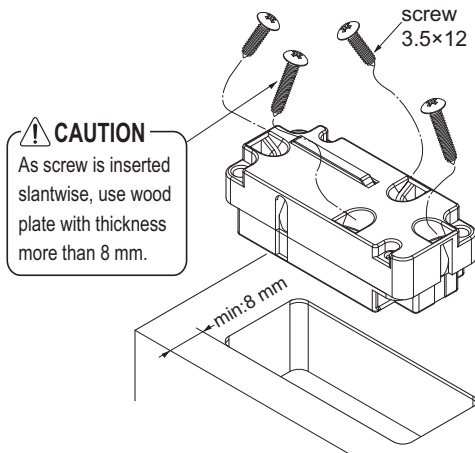
#### Recessed mount:

##### Processing bottom board cut-off

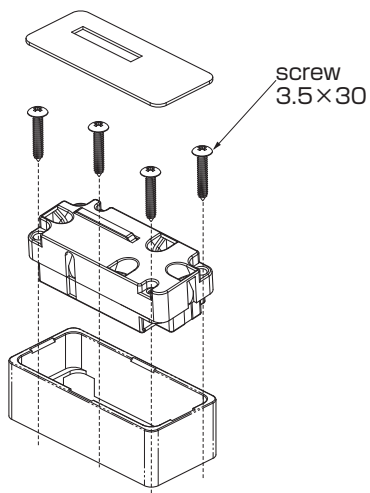


① Setting the lock unit in processed hole, fix it with attached screw.

② With double coated tape which is pasted on reverse side of attached cover plate, paste the cover plate on top face of lock unit.

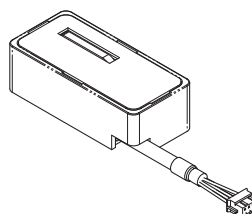


#### Surface mount:

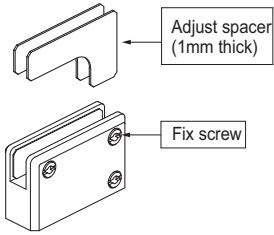
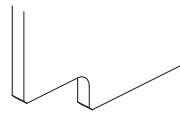


① Confirm lock unit mount position and fix with attached screw 3.5x30. Pull out lock unit cable through hole in rim bracket.

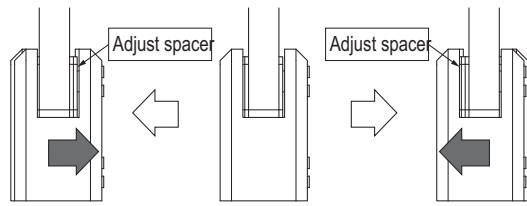
② Paste attached cover plate on top face of lock unit using double coated tape which is on reverse side of cover plate.



## 3-2 Installing strike plate for glass door



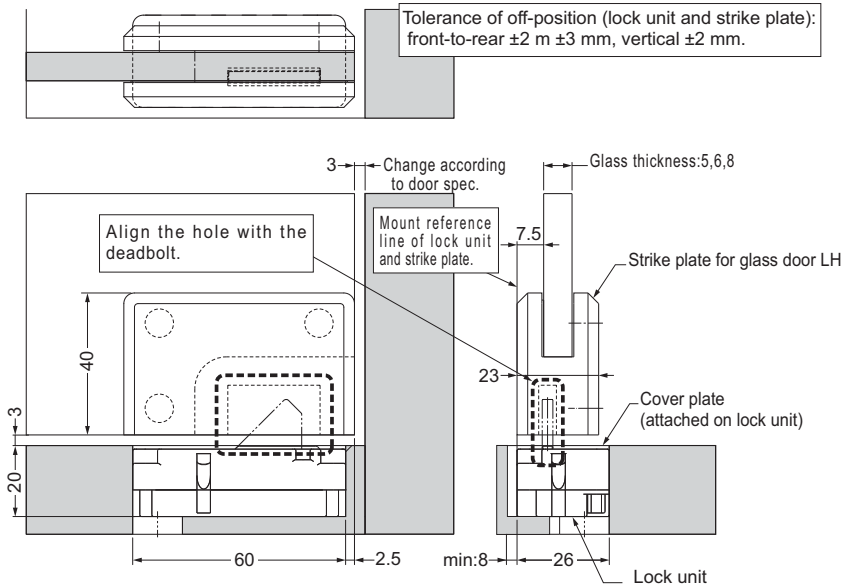
Set the strike plate in cut-out on glass door. Then, fix by screws. If position of lock unit dead bolt and hole position of strike plate when closing glass door is not aligned, move adjust spacer to reverse side as shown in illustration below. Or, adjust position of door stopper.



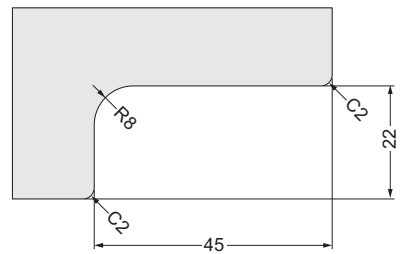
### CAUTION

Align the hole of strike plate with the deadbolt properly.  
Use door stopper or magnet catch to hold the door at proper position.

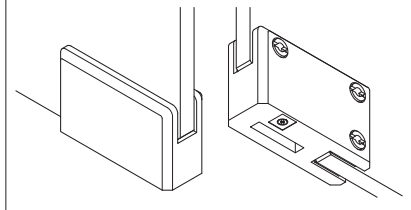
#### INSTALLATION DRAWING (Reference): XL-ESG-L Strike plate for glass door L



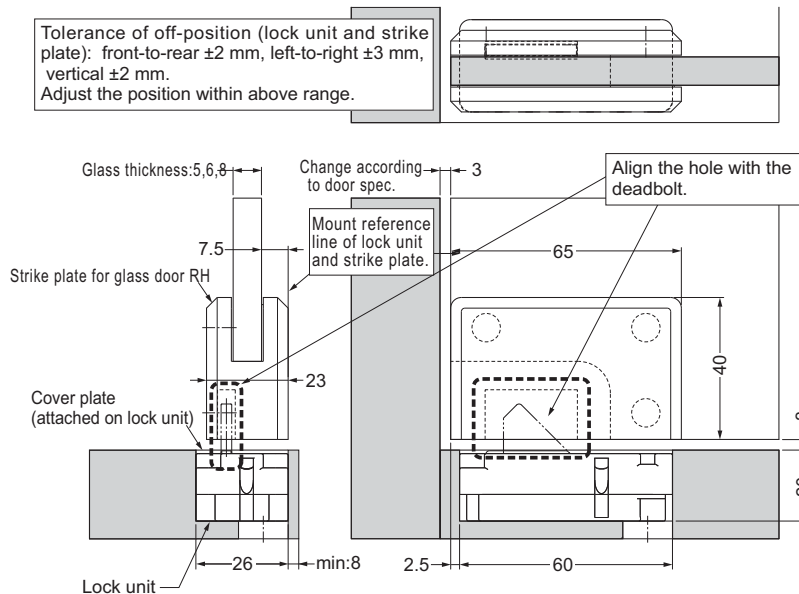
#### Processing glass door



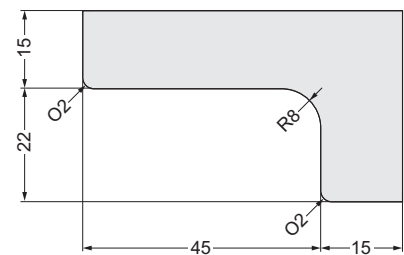
#### [Status after installation]



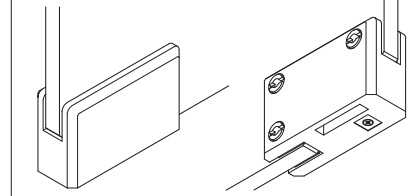
#### INSTALLATION DRAWING (Reference): XL-ESG-R Strike plate for glass door R



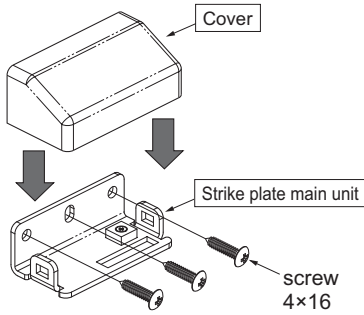
#### Processing glass door



#### [Status after installation]



### 3-3 Installing strike plate for wood door



The figure shows XL-ESW-L

Refer to the illustration below to install strike plate main unit with attached screws.

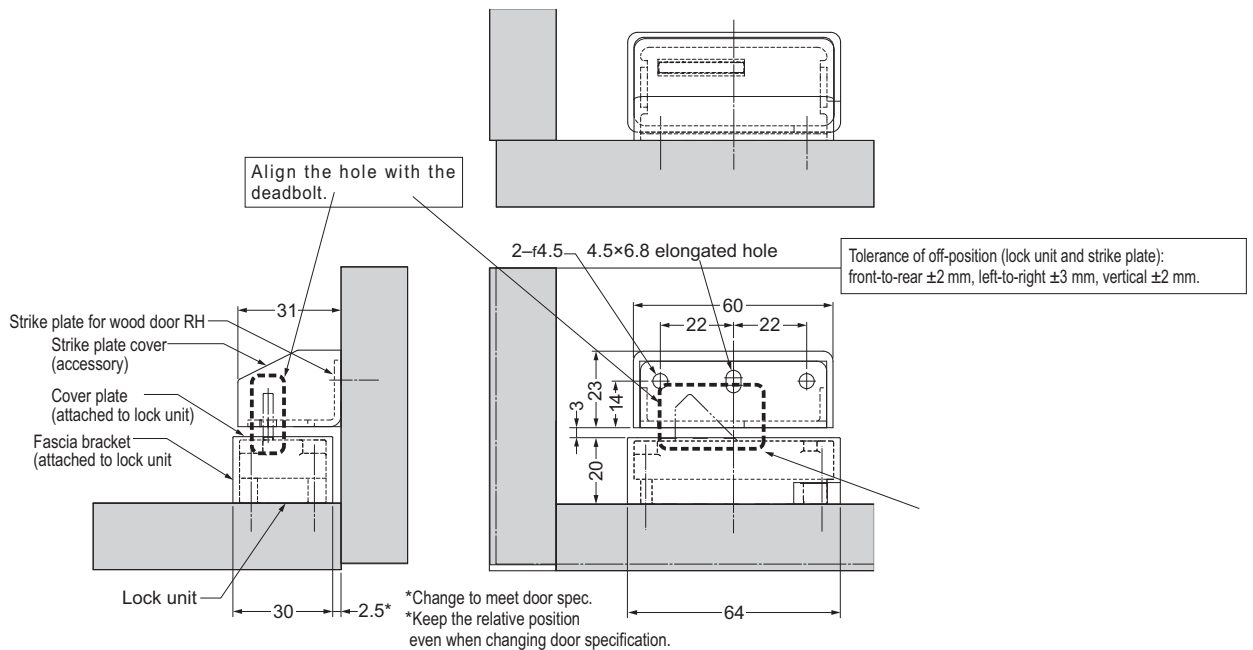
If position of lock unit dead bolt and hole position of strike plate when closing glass door is not aligned, re-install strike plate main unit. Or, adjust door position using hinge. Or, adjust position by adjusting with door stopper or magnet catch.

After adjustment, mount cover on strike plate main unit.

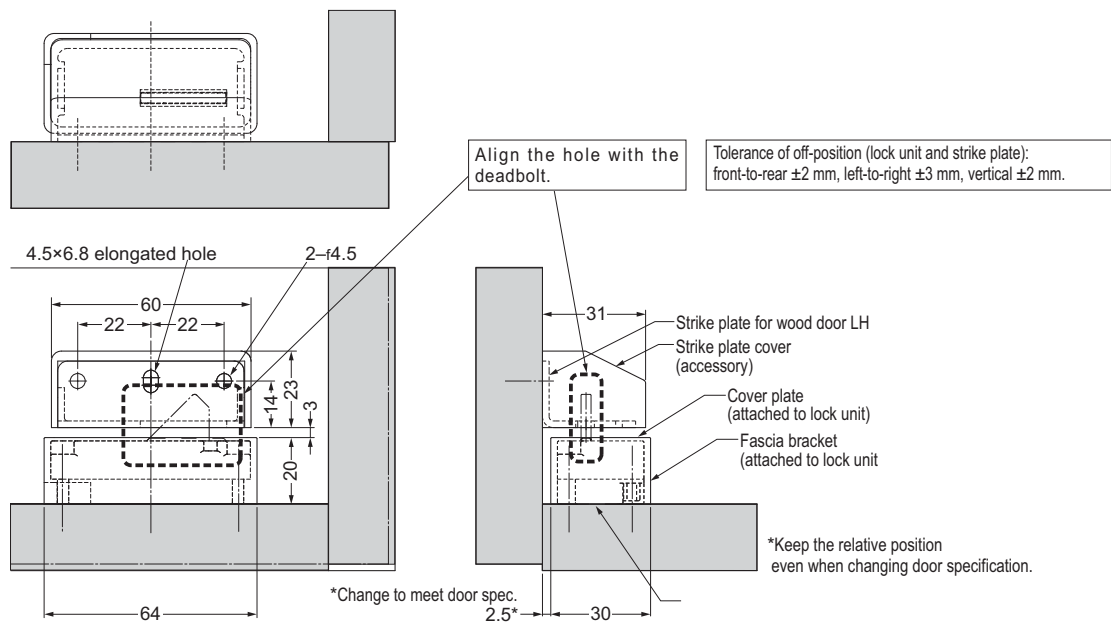
#### CAUTION

Align the hole of strike plate with the deadbolt properly.  
Use door stopper or magnet catch to hold the door at proper position.

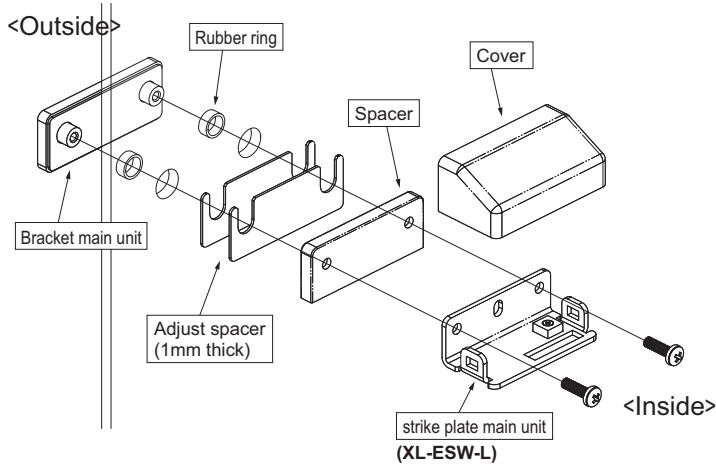
#### INSTALLATION DRAWING (Reference): XL-ESW-L Strike plate for wood door L



#### INSTALLATION DRAWING (Reference): XL-ESW-R Strike plate for wood door R



### 3-4 Installing strike plate glass mount bracket



Set rubber ring to glass mount hole. Inserting spacer inside of glass, fix with attached mount screws (2).

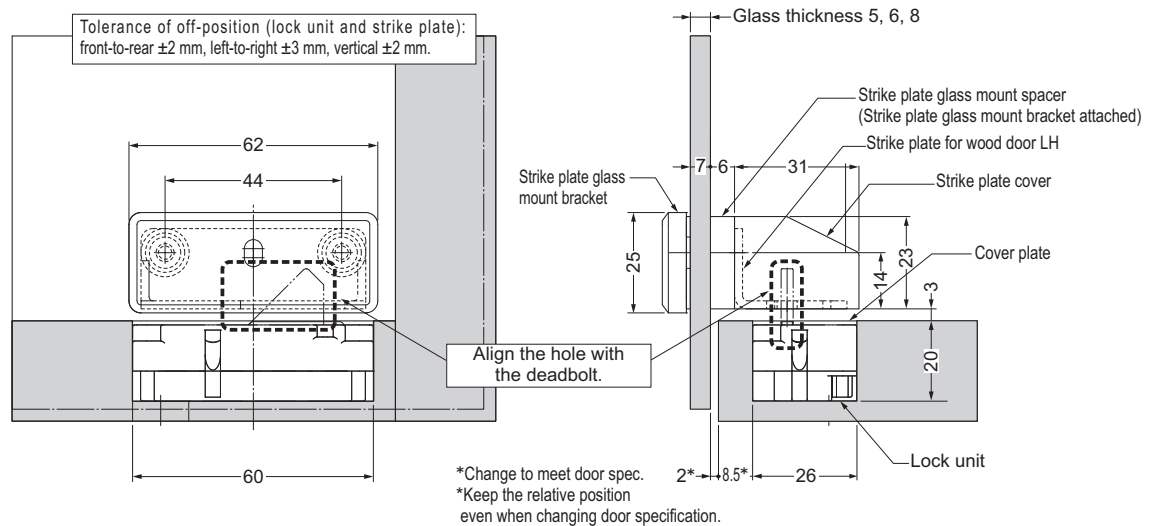
If position of lock unit dead bolt and hole position of strike plate is not aligned when closing glass door, use additional adjust spacer. Or, adjust position by adjusting with door stopper or magnet catch.

After adjustment, mount cover on strike plate main unit.

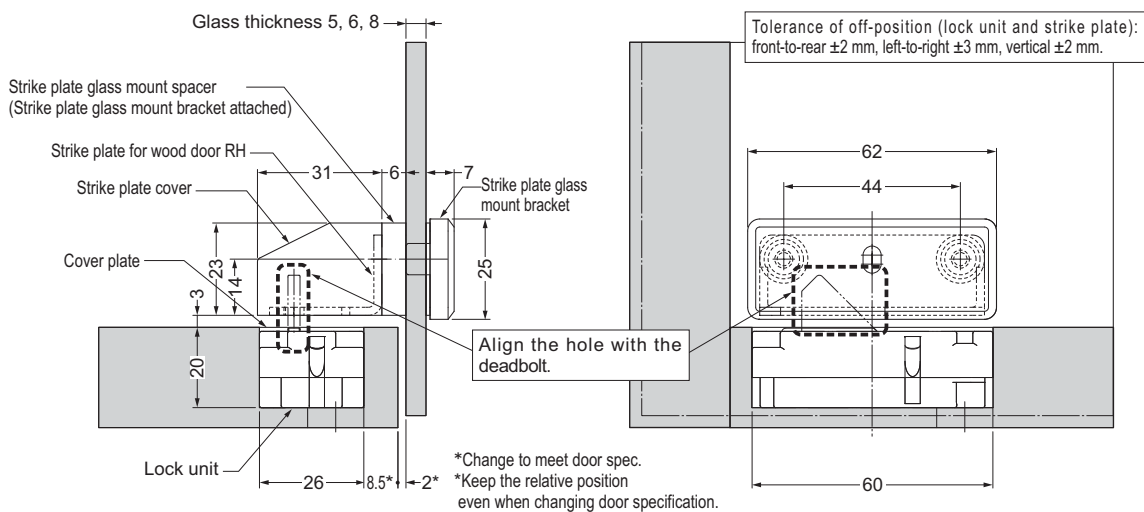
#### CAUTION

Align the hole of strike plate with the deadbolt properly.  
Use door stopper or magnet catch to hold the door at proper position.

INSTALLATION DRAWING (Reference): XL-ESW-L Strike plate for glass door L



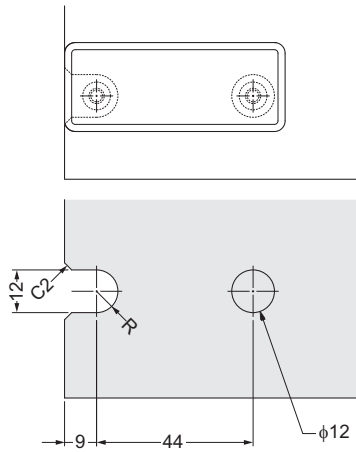
INSTALLATION DRAWING (Reference): XL-ESW-R Strike plate for glass door R



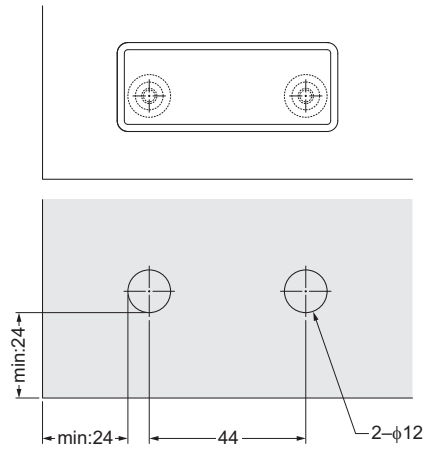


## Processing glass

Installing at door edge



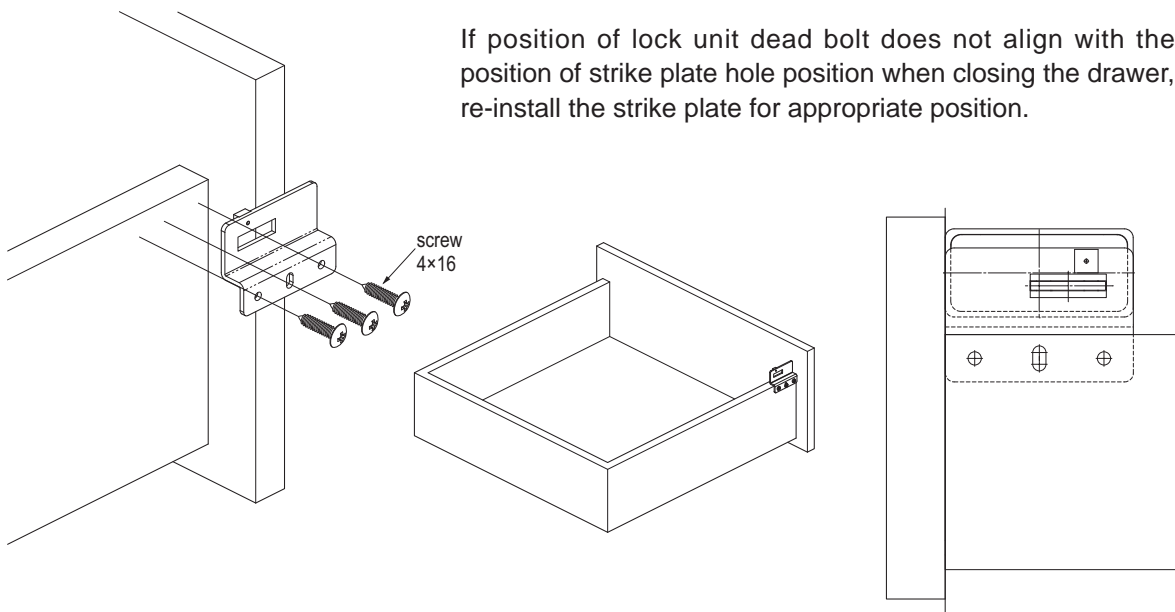
Installing to other part



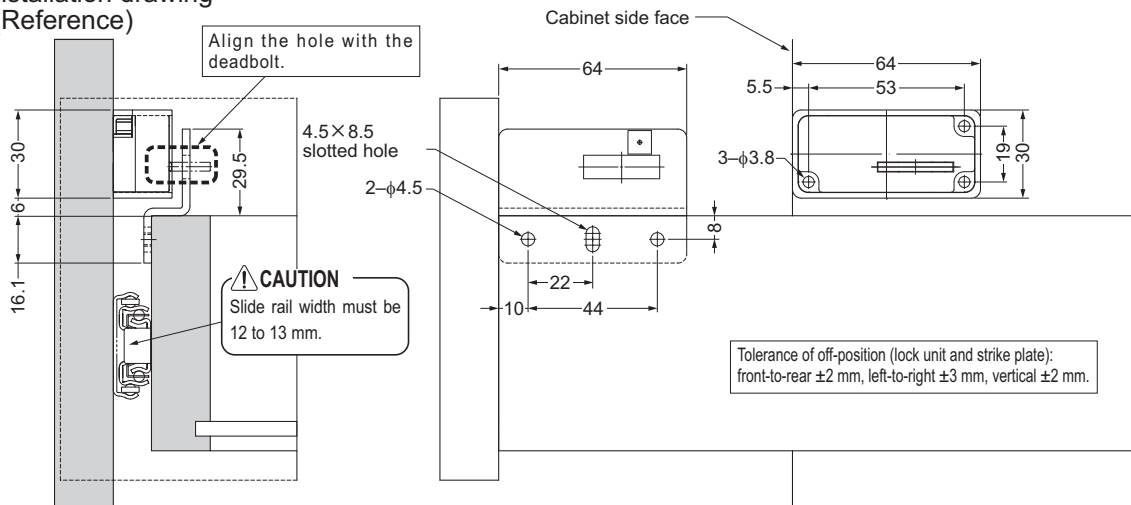
## 3-5 Installing drawer strike plate

Referring following "Installation Drawing", install the strike plate with attached screws.

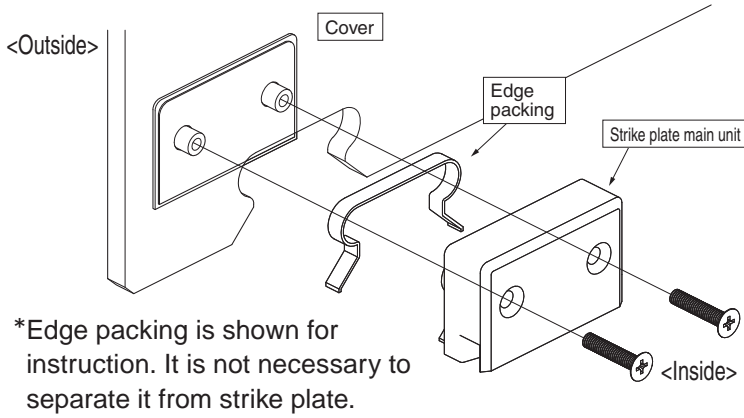
If position of lock unit dead bolt does not align with the position of strike plate hole position when closing the drawer, re-install the strike plate for appropriate position.



Installation drawing  
(Reference)



### 3-6 Installing lock set for glass sliding door



Confirm that edge packing is set on strike plate main unit. Set strike plate main unit and cover in the cut-out of glass door such that strike plate main unit is positioned at reverse side of glass door. Then, fix strike plate main unit and cover to glass door with attached 2 fix screws

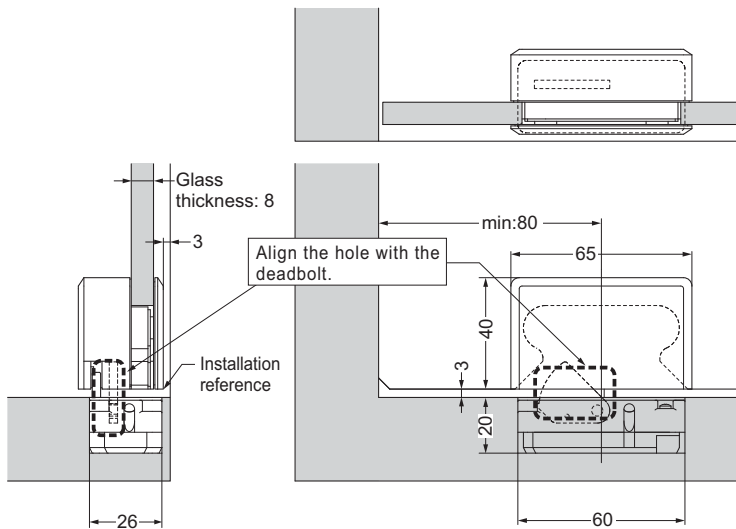
If lock unit dead bolt position is not aligned with strike plate hole position when closing door, re-install strike plate for correct position. Or, use door stopper to correct.

\*Edge packing is shown for instruction. It is not necessary to separate it from strike plate.

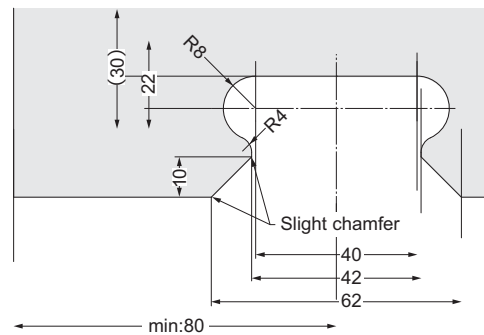
#### CAUTION

Align the hole of strike plate with the deadbolt properly.  
Use door stopper or magnet catch to hold the door at proper position.

INSTALLATION DRAWING(reference):L-ELU-SDL strike plate for glass sliding door. L

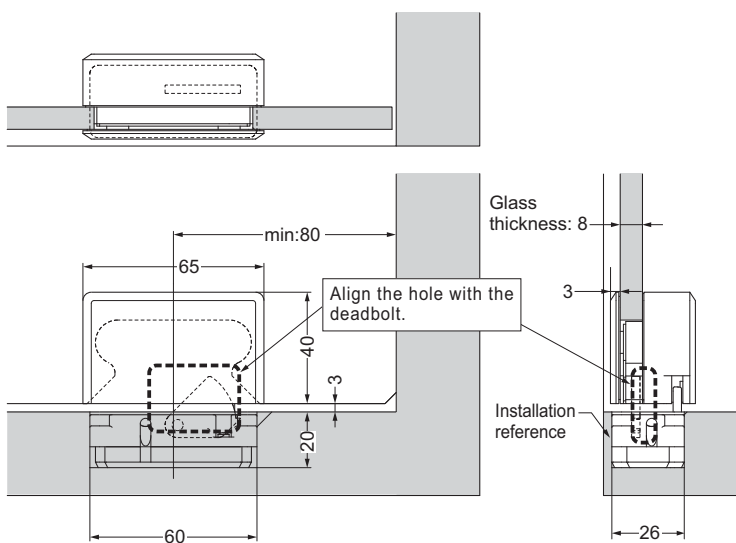


Cut out dimensions.

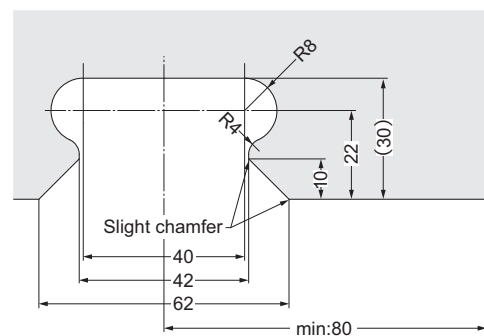


Tolerance of off-position (lock unit and strike plate):  
front-to-rear  $\pm 2$  mm, left-to-right  $\pm 3$  mm, vertical  $\pm 2$  mm.

INSTALLATION DRAWING (reference):L-ELU-SDR strike plate for glass sliding door. R

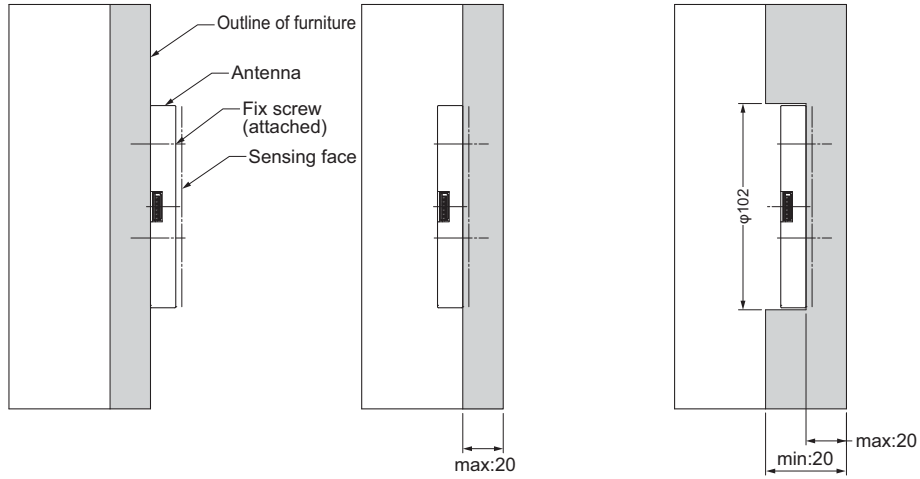


Cut out dimensions.



Tolerance of off-position (lock unit and strike plate):  
front-to-rear  $\pm 2$  mm, left-to-right  $\pm 3$  mm, vertical  $\pm 2$  mm.

### 3-7 Installing antenna unit



Installed outside of furniture

Installed inside of furniture

Installed inside of furniture  
(plate thickness: more than 20 mm)

Provide cable incoming hole if necessary.

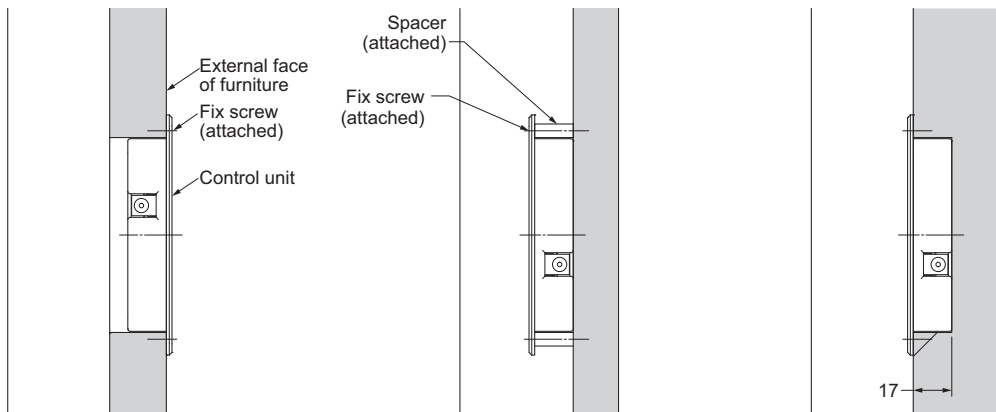
#### CAUTION

- Radio sensing side must be faced outside of furniture.
- The unit must be installed on wood or resin material. If it is installed on metal, sensing function may become improper.
- If there's any wireless communication device (Wi-Fi device or smartphone) is used nearby this system, malfunction may be caused.



Radio sensing side

### 3-8 Installing control unit



Installed outside of furniture(Recessed)  
Use four Phillips pan head tapping screws 4×12.

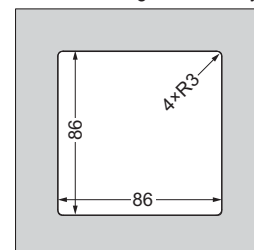
Installed inside of furniture(Surface mount)  
Use four spacer pipes.  
Use four Phillips flush tapping screws 4×30.

Installed inside of furniture(Recessed)  
Use four Phillips flush tapping screws 4×12.

Provide wiring hole if necessary

Process drawing for recessed mount

\*Hole for wiring is necessary.



#### CAUTION

- Select installation position easy to access for easier confirmation of LED function or pushing cancel switch.
- During installation, be careful not to damage the cable.
- If there's any wireless communication device (Wi-Fi device or smartphone) is used nearby this system, malfunction may be caused.

## 4 Confirmation of operation

When confirming unit function, proceed the work referring "EXCELOCK Total Lock Operation Manual".  
Confirm functions after turning on the power and register SL-EKU key on connected system.

## ■ TROUBLESHOOTING

TROUBLE	CHECK	SOLUTION
① No function	(A) Check power plug and connectors.	Confirm and correct poor connection.
	(B) Check breakage or damage of cable.	If defective cable is found, stop work immediately. Contact our sales shop or an electrician.
	(C) Check external view of unit.	If defective cable is found, stop work immediately. Contact our sales shop or an electrician.
② Door is not locked even when it is closed.	(A) Check positions of lock unit and strike plate when closing the door.	<ul style="list-style-type: none"> <li>• Check installation drawing for mounting position and direction of lock and strike plate.</li> <li>• Check if the relative position of lock and strike plate is within the tolerance as follows; Front-rear: <math>\pm 2</math> mm, Left-right: <math>\pm 3</math> mm, Up-down: <math>\pm 2</math> mm.</li> <li>• See chapter 3-2 to adjust the positions of lock and mounting plate.</li> </ul>
	(B) Check if lock unit and strike plate are in correct positions for detecting correct closing. Check and use door stopper for positioning purpose.	<ul style="list-style-type: none"> <li>• The door will not be locked if the closed position is not stable.</li> <li>• Apply door stopper or magnet catch to fix the relative position of lock and strike plate when door is closed.</li> <li>• See chapter 3-2 to adjust the positions of lock and mounting plate.</li> </ul>
③ Error warning sounds.	(A) Check if door is kept open.	<ul style="list-style-type: none"> <li>• Close the door.</li> <li>• When door is kept open for more than 3 minutes, door-open warning is sent to sound.</li> <li>• The alarm stops when closing the door (door is locked).</li> </ul>
	(B) When door is closed, check if relative position of lock unit and strike plate is correct.	<ul style="list-style-type: none"> <li>• Place key near antenna to lock. Sound stops when door is closed.</li> <li>• If sound continues, relative position of lock unit and strike plate may be incorrect.</li> <li>• Correct the positions referring Trouble ② above.</li> </ul>
④ Door would not open. (Key cannot unlock.)	(A) Check condition of cable connection.	Correct cable connections referring Trouble ① above.
	(B) Check if excessive load is applied on the door or lock unit, interfering correct function.	<p>The following may be affected:</p> <ul style="list-style-type: none"> <li>• Deformation, warp or damage of door or furniture.</li> <li>• Furniture is inclined or not horizontal.</li> <li>• Object stored in the furniture pushes the door from inside.</li> </ul> <p>After remove the load from lock unit or its strike plate, open the door. For further detail, please contact our sales shop or an electrician.</p>
	(C) The status of lock unit might be improper when power was switched on.	<p>Malfunction is caused if a lock unit is switched on at locked status without strike plate coupled.</p> <p>To solve the problem, power off the system. Couple a strike plate with the lock, then power on.</p>
⑤ Recovery from blackout	(A) Blackout under locked status.	The system maintains the locked status. No special action is required after the recovery.
	(B) Blackout under unlocked status.	Lock unit keeps unlocked, but solenoid lock gets locked when power is lost. Keep the door of lock unit opened until power recovery. You may close the door of solenoid lock regardless the power status.

**SUGATSUNE KOGYO CO.,LTD**  
Tokyo, JAPAN  
Phone: +81 (0)3 3866 2260 E-mail:export@sugatsune.co.jp

**SUGATSUNE KOGYO (UK) LTD**  
Reading, UK  
Phone: +44 118 9272 955 E-mail:sales@sugatsune.co.uk

**SUGATSUNE EUROPE GmbH**  
Düsseldorf, GERMANY  
Phone: +49 211 53812900 E-mail:sales@sugatsune.eu

**SUGATSUNE SHANGHAI Co., LTD**  
Shanghai, CHINA  
Phone: +86 21 3632 1858 E-mail:lamp@sugatsune.com.cn

**Guangzhou, CHINA**  
Phone: +86 20 6639 3552 E-mail:lamp@sugatsune.com.cn

**SUGATSUNE KOGYO INDIA PRIVATE LIMITED**  
Mumbai, INDIA  
Phone: +91 22 28314490/91 E-mail:sales@sugatsune.in

**SUGATSUNE AMERICA, INC**  
California, USA  
Phone: +1 310 329 6373 E-mail:sales@sugatsune.com

**Chicago, USA**  
Phone: +1 312 461 1081 E-mail:chicagoshowroom@sugatsune.com.

**SUGATSUNE CANADA, INC.**  
Phone: +1 514 312 5267 E-mail:support@sugatsune.ca

ISO9001(Japan Offices and Sugatsune America) and ISO14001(Chiba Production division and Logistics center), certified.

2017.05 0783-2