



# SUGATSUNE

Since 1930

Because details matter

## ALUMINIUM FRAME SLIDING & SWING DOOR SYSTEMS



ALUMINIUM FRAME SLIDING DOOR SYSTEM

FD80-AF STANDARD BLACK

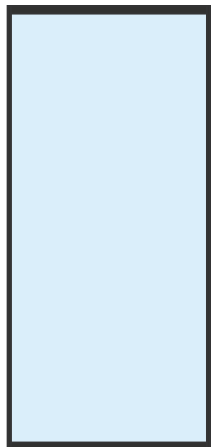
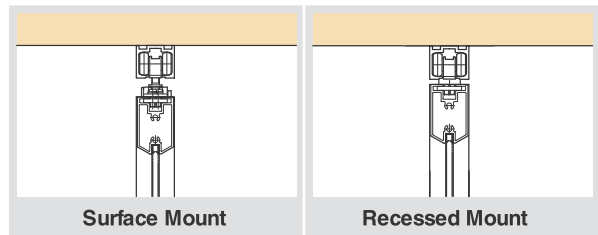


	a	b	c	d
	Two-Way Soft Close	Standard Sliding	Two-Way Soft Close	Standard Sliding
Roller	Recessed Mount	Recessed Mount	Surface Mount	Surface Mount
Door Weight	Max. 80 kg/Door			
Glass Thickness	5 or 6 mm			
Door Width	784 - 1500 mm	Max. 1500 mm	804 - 1500 mm	Max. 1500 mm
Door Height	Max. 3000 mm			
Height Adjustment	-1/+4 mm		±4 mm	

Features

- Two-way soft closer option available.
- Surface or recessed mount roller available.
- Thick aluminium profile provides excellent rigidity preventing door flex.
- Ball bearing roller provides ultra smooth movement.
- Easy assembly and installation.
- Intermediate support not needed when door size within H 2200 mm x W 900 mm.
- No rail on floor needed.
- Swing door version available for total coordination (P.710B 711).
- Black frame available by special order.

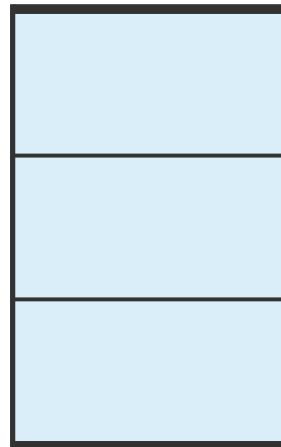
\* Intermediate support required when either door height or door width exceeds standard size. Pictures shown below are door size examples which require intermediate support.



Standard Size [No support required.]  
(Smaller than H 2200 x W 900)



1 Support  
(Smaller than H 2000 x W 1600)



2 Supports  
(Smaller than H 2200 x W 1500)



3 Supports  
(Smaller than H 2500 x W 1300)



ALUMINIUM FRAME SLIDING DOOR SYSTEM

FD80-AF STANDARD SILVER

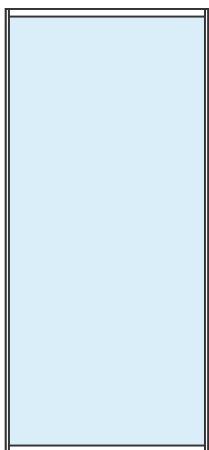
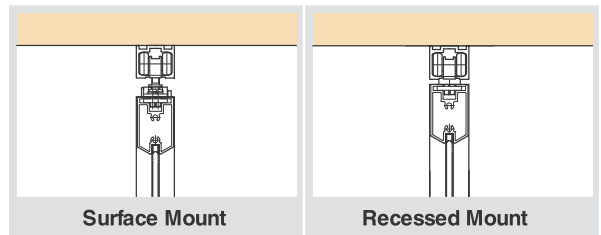


	a	b	c	d
	Two-Way Soft Close	Standard Sliding	Two-Way Soft Close	Standard Sliding
Roller	Recessed Mount	Recessed Mount	Surface Mount	Surface Mount
Door Weight	Max. 80 kg/Door			
Glass Thickness	5 or 6 mm			
Door Width	784 - 1500 mm	Max. 1500 mm	804 - 1500 mm	Max. 1500 mm
Door Height	Max. 3000 mm			
Height Adjustment	-1/+4 mm		±4 mm	

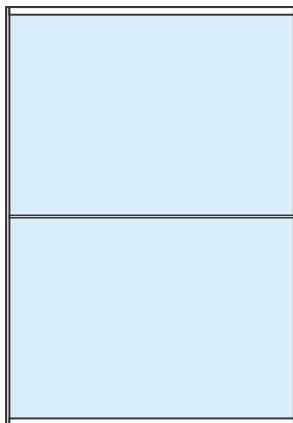
Features

- Two-way soft closer option available.
- Surface or recessed mount roller available.
- Thick aluminium profile provides excellent rigidity preventing door flex.
- Ball bearing roller provides ultra smooth movement.
- Easy assembly and installation.
- Intermediate support not needed when door size within H 2200 mm x W 900 mm.
- No rail on floor needed.
- Swing door version available for total coordination (P.710B 711).
- Black frame available by special order.

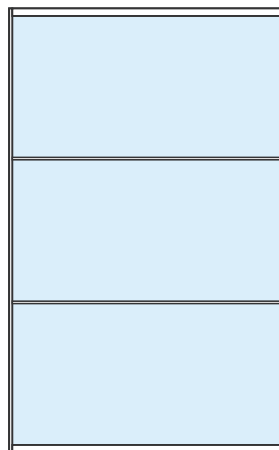
\* Intermediate support required when either door height or door width exceeds standard size. Pictures shown below are door size examples which require intermediate support.



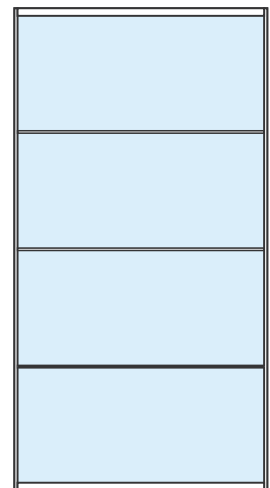
Standard Size [No support required.]  
(Smaller than H 2200 x W 900)



1 Support  
(Smaller than H 2000 x W 1600)



2 Supports  
(Smaller than H 2200 x W 1500)



3 Supports  
(Smaller than H 2500 x W 1300)



ALUMINIUM FRAME SLIDING DOOR SYSTEM

FD80-AF SLEEK BLACK

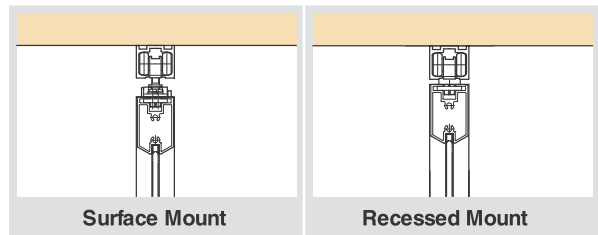


	a	b	c	d
	Two-Way Soft Close	Standard Sliding	Two-Way Soft Close	Standard Sliding
Roller	Recessed Mount	Recessed Mount	Surface Mount	Surface Mount
Door Weight	Max. 80 kg/Door			
Glass Thickness	5 or 6 mm			
Door Width	784 - 1500 mm	Max. 1500 mm	804 - 1500 mm	Max. 1500 mm
Door Height	Max. 3000 mm			
Height Adjustment	-1/+4 mm		±4 mm	

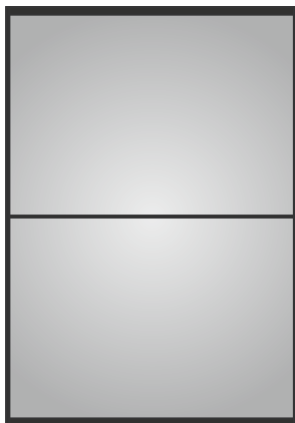
Features

- Two-way soft closer option available.
- Surface or recessed mount roller available.
- Thick aluminium profile provides excellent rigidity preventing door flex.
- Ball bearing roller provides ultra smooth movement.
- Easy assembly and installation.
- Intermediate support not needed when door size within H 2200 mm x W 900 mm.
- No rail on floor needed.
- Swing door version available for total coordination (P.710B 711).
- Black frame available by special order.

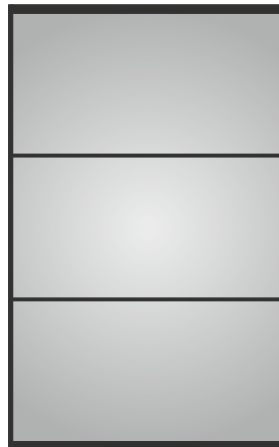
\* Intermediate support required when either door height or door width exceeds standard size. Pictures shown below are door size examples which require intermediate support.



Standard Size [No support required.]  
(Smaller than H 2200 x W 900)



1 Support  
(Smaller than H 2000 x W 1600)



2 Supports  
(Smaller than H 2200 x W 1500)



3 Supports  
(Smaller than H 2500 x W 1300)



ALUMINIUM FRAME SLIDING DOOR SYSTEM

FD80-AF SLEEK SILVER

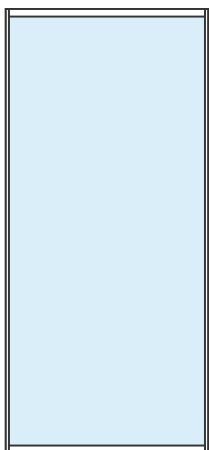
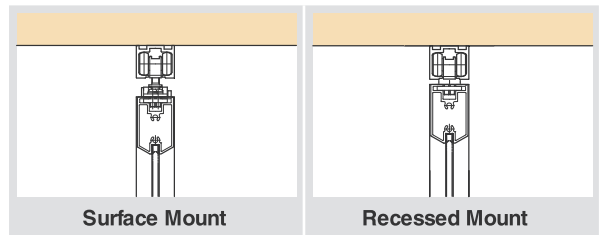


	a	b	c	d
	Two-Way Soft Close	Standard Sliding	Two-Way Soft Close	Standard Sliding
Roller	Recessed Mount	Recessed Mount	Surface Mount	Surface Mount
Door Weight	Max. 80 kg/Door			
Glass Thickness	5 or 6 mm			
Door Width	784 - 1500 mm	Max. 1500 mm	804 - 1500 mm	Max. 1500 mm
Door Height	Max. 3000 mm			
Height Adjustment	-1/+4 mm		±4 mm	

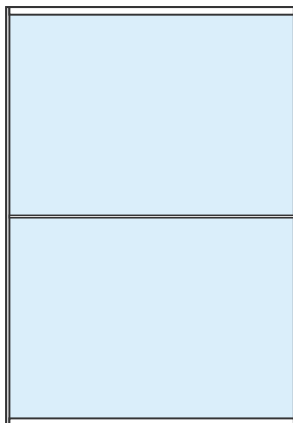
Features

- Two-way soft closer option available.
- Surface or recessed mount roller available.
- Thick aluminium profile provides excellent rigidity preventing door flex.
- Ball bearing roller provides ultra smooth movement.
- Easy assembly and installation.
- Intermediate support not needed when door size within H 2200 mm x W 900 mm.
- No rail on floor needed.
- Swing door version available for total coordination (P.710B 711).
- Black frame available by special order.

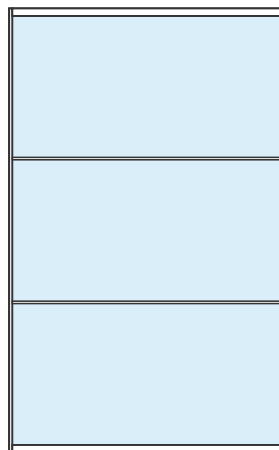
\* Intermediate support required when either door height or door width exceeds standard size. Pictures shown below are door size examples which require intermediate support.



Standard Size [No support required.]  
(Smaller than H 2200 x W 900)



1 Support  
(Smaller than H 2000 x W 1600)



2 Supports  
(Smaller than H 2200 x W 1500)



3 Supports  
(Smaller than H 2500 x W 1300)



Parts Set (Per Door)		Necessary Parts	
Please refer to "Qty [a - d]" for parts included in each set.			
Item Code	Item Name	Description	
[a] 250-022-257	FD80-DHCHP-AF	Recessed Mount Roller Two Way Soft-Close	

Parts Included

No.	Qty				Part Name	Dimensions	Description
	[a]	[b]	[c]	[d]			
1	1	-	-	-	Recessed Mount Soft-Closer (Two-Way)		Item Code : 250-022-239 Item Name : FD80-WRH-DSC ● Material Steel / Polyacetal ● Finish Chromate / Black ● With 2 pcs Trigger Pins
2	1	2	-	-	Recessed Mount Standard Sliding		Item Code : 250-022-241 Item Name : FD80-WRH ● Material Zinc Alloy / Polyacetal ● Finish Nickel / Natural
3	-	-	1	-	Surface Mount Soft-Closer (Two-Way)		Item Code : 250-022-240 Item Name : FD80-WRM-DSC ● Material Steel / Polyacetal ● Finish Chromate / Black ● With 2 pcs Trigger Pins
4	-	-	1	2	Surface Mount Standard Sliding		Item Code : 250-022-242 Item Name : FD80-WRM ● Material Zinc Alloy / Polyacetal ● Finish Nickel / Natural
5	1	1	1	1	Floor Guide		Item Code : 250-020-773 Item Name : FD50-BG18 ● Material SUS 304 / POM ● Finish Plain / White
6	-	2	-	2	End Stopper		Item Code : 250-022-250 Item Name : FD80-HTST ● Material Steel / Polyacetal ● Finish Chromate / White
7	-	-	1	1	Sheet Nut		Item Code : 250-022-243 Item Name : FD80-AFB ● Material Steel ● Finish Chromate

Aluminium Frame Parts		For One Door		
No.	Item Code	Part Name	Dimensions	Description
9	250-940-965	Vertical Frame L : 2500 mm		● Material Aluminium ● Finish Matte Silver
	AF-25-W01-2.5M			
10	250-121-116	Vertical Frame L : 3000 mm		● Material Aluminium ● Finish Matte Silver
	AF-25-W01-3M			
11	250-120-070	Horizontal Frame L : 2000 mm		● Material Aluminium ● Finish Matte Silver
	AF-25-WS02			
12	250-940-967	Intermediate Support L : 2000 mm		● Material Aluminium ● Finish Matte Silver
	AF-25-W03 (Optional)			
13	250-120-056	Corner Parts ※ [a]: 2 pcs, [c]: 4 pcs		● Material Zinc Alloy ● Finish Matte Chrome
	AF-25-P04			
14	250-940-960	Gasket For 5 mm Glass L : 2500 mm		● Material Elastomer ● Finish Light Grey
	AF-25-P02			
15	250-181-197	Gasket For 6 mm Glass L : 3000 mm		● Material Elastomer ● Finish Light Grey
	AF-25-P15			
16	250-940-961	Gasket For Intermediate Support For 5 mm Glass L : 2500 mm		● Material Elastomer ● Finish Light Grey
	AF-25-P03 (Optional)			
17	250-181-196	Gasket For Intermediate Support For 6 mm Glass L : 2500 mm		● Material Elastomer ● Finish Light Grey
	AF-25-P16 (Optional)			
18	270-940-959	Edge Cover L : 2500 mm		● Material Elastomer ● Finish Light Grey
	AF-25-P01-25			
19	100-010-386	Handle		● Material Zinc Alloy ● Finish Matte Chrome
	MN799Z160E101 (Optional)			
20	250-181-199	Screw Set	M6×30 Hex. Bolt : 8 pcs M4×30 Hex. Bolt (For Intermediate Support) : 6 pcs M4×25 Allen Screw : 8 pcs	● Material SUS 304 ● Finish Plain
	AF-25-HS			
21	918203	Insert Pin Type-F	—	Set of 8 pcs for 1 door

Upper Track		Necessary Parts		
Mounting	Length	Item Code	Dimensions	Description
Surface Mount	2000 mm	250-022-244		● Material Aluminium ● Finish Anodized Silver
		FD80-TRM2000SL		
	2730 mm	250-022-246		● Material Aluminium ● Finish Anodized Silver
		FD80-TRM2730SL		
3640 mm	250-022-248	● Material Aluminium ● Finish Anodized Silver		
	FD80-TRM3640SL			

# ALUMINIUM FRAME SWING DOOR



# AF-25D STANDARD SILVER



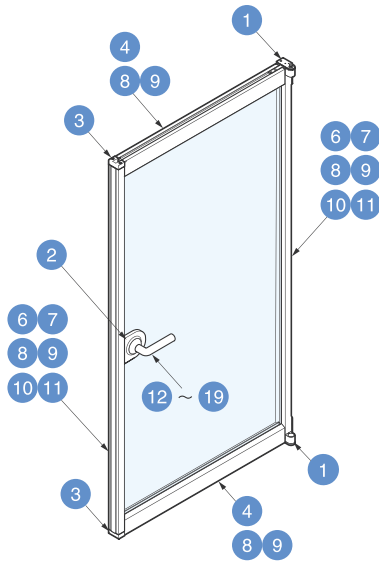
<b>Door Weight</b>	Max. 40 kg (including parts weight)
<b>Glass Thickness</b>	5, 6 mm
<b>Door Width</b>	Max. 900 mm (Max. 1000 mm for using intermediate support)
<b>Door Height</b>	Max. 2200 mm (Max. 3000 mm for using intermediate support)

### Features

- Aluminium profile provides excellent rigidity preventing door flex.
- FD80-AF (Sliding door version) is available (P.688).
- Vertically and laterally adjustable even after door installation.

### Remarks

- Intermediate support not needed when door size is within H2200 mm x W900 mm. Please refer to below "necessary intermediate support quantity".
- Please use stopper parts & door stopper.

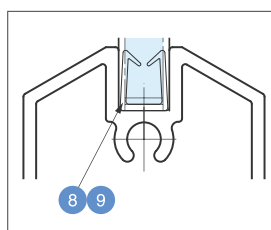
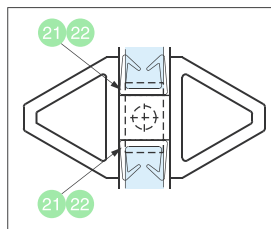
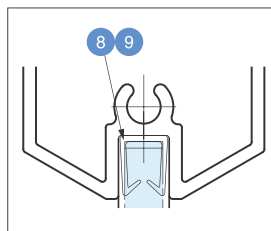
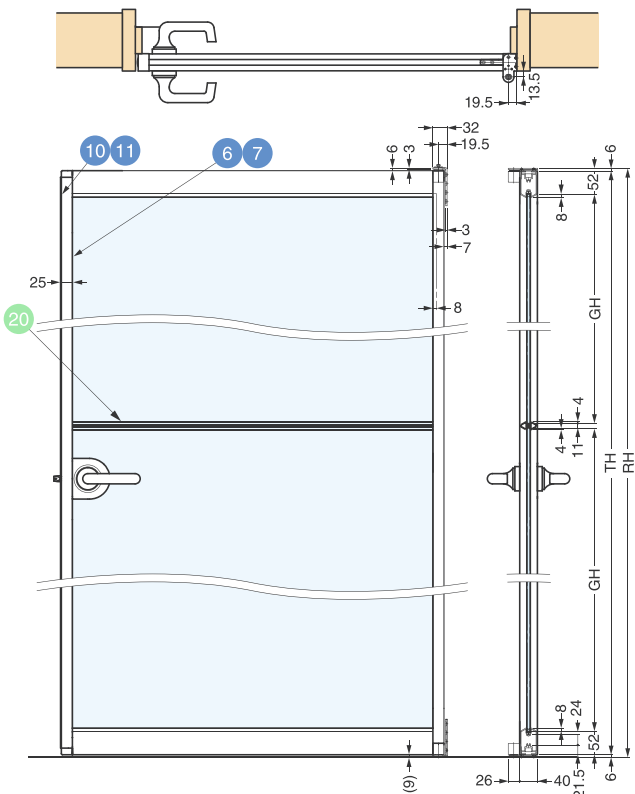


### Necessary Intermediate Support Quantity

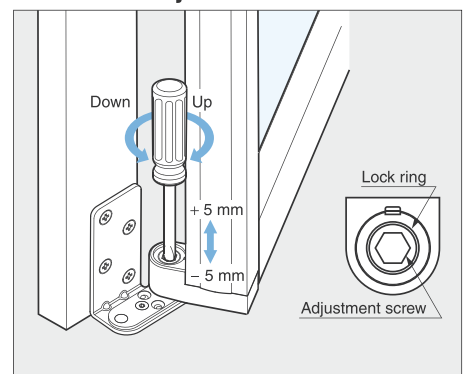
Intermediate support required when either door height or door width exceeds standard size. Pictures shown below are door size examples which require intermediate support. Glass thickness : 5 mm, Door weight : 70 kg

Support Qty.	No Need Any Support	2 Supports	3 Supports	4 Supports
<b>Door Size</b>	W900 × H2200	Less than W800 × H2500	Less than W750 × H2700	Less than W700 × H3000

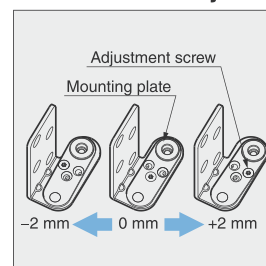
### Installation (Glass door with one intermediate support)



### Vertical Adjustment



### Horizontal Adjustment





# ALUMINIUM FRAME SWING DOOR



# AF-25D STANDARD BLACK



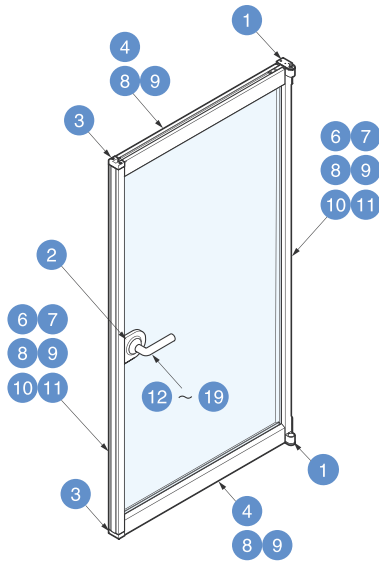
<b>Door Weight</b>	Max. 40 kg (including parts weight)
<b>Glass Thickness</b>	5, 6 mm
<b>Door Width</b>	Max. 900 mm (Max. 1000 mm for using intermediate support)
<b>Door Height</b>	Max. 2200 mm (Max. 3000 mm for using intermediate support)

### Features

- Aluminium profile provides excellent rigidity preventing door flex.
- FD80-AF (Sliding door version) is available (P.688).
- Vertically and laterally adjustable even after door installation.

### Remarks

- Intermediate support not needed when door size is within H2200 mm x W900 mm. Please refer to below "necessary intermediate support quantity".
- Please use stopper parts & door stopper.

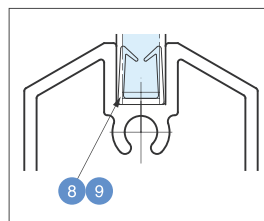
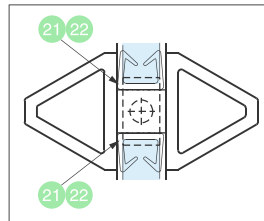
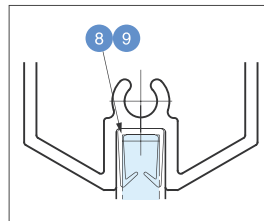
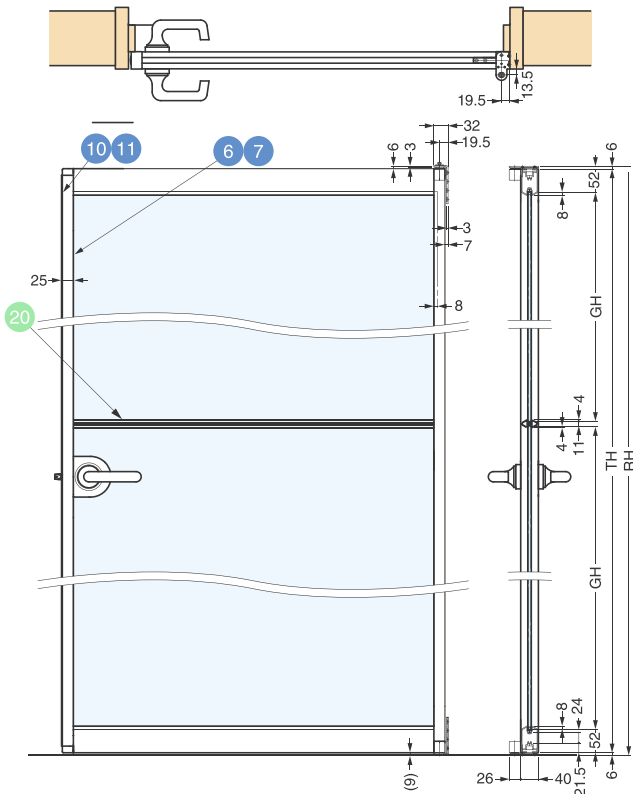


### Necessary Intermediate Support Quantity

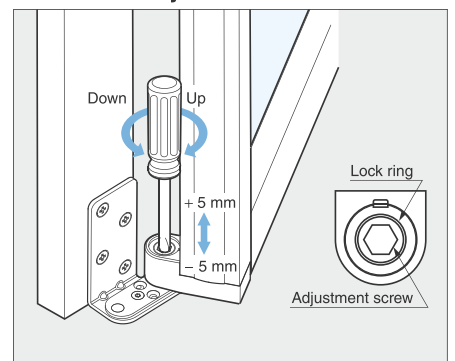
Intermediate support required when either door height or door width exceeds standard size. Pictures shown below are door size examples which require intermediate support. Glass thickness : 5 mm, Door weight : 70 kg

Support Qty.	Door Size
No Need Any Support	W900 × H2200
2 Supports	Less than W800 × H2500
3 Supports	Less than W750 × H2700
4 Supports	Less than W700 × H3000

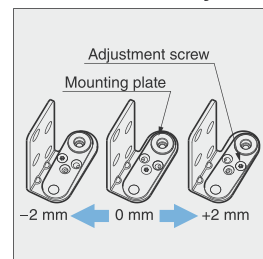
### Installation (Glass door with one intermediate support)



### Vertical Adjustment



### Horizontal Adjustment







**OTHER  
WARDROBE  
SOLUTIONS**



<https://global.sugatsune.com/in/en/sales@sugatsune.in>

**MUMBAI DISPLAY STUDIO**

No. G-002 & B-02, Ground Floor,  
Kanakia Atrium-2, Chakala,  
Next to Courtyard Marriott Hotel,  
Andheri Kurla Road, Andheri East,  
Mumbai - 400093, Maharashtra,  
☎ : 8419976934  
9867299597  
📍 8419988316

**DELHI DISPLAY STUDIO**

FIEE Complex, A36 Okhla Phase 2,  
New Delhi - 110020  
Tel : 011 - 45093636  
☎ : 8419900923  
9867299597  
📍 8419988316

**CHENNAI DISPLAY STUDIO**

23/2, Old No:-39/2, 2nd Floor,  
Cenetoph Road, 1st Lane,  
Teynampet, Chennai-600018,  
Tamil Nadu.  
☎ : 8419976934  
9867299597  
📍 8419988316

**PUNE DISPLAY STUDIO**

3rd Floor, Beside Laxmi Narayan Chiwada,  
Near katariya high school,  
Mukund Nagar, Pune - 411037,  
Maharashtra.  
☎ : 8419976934  
9867299597  
📍 8419988316



we are available on

UPDATED MAY 2023