

DOOR DAMPER



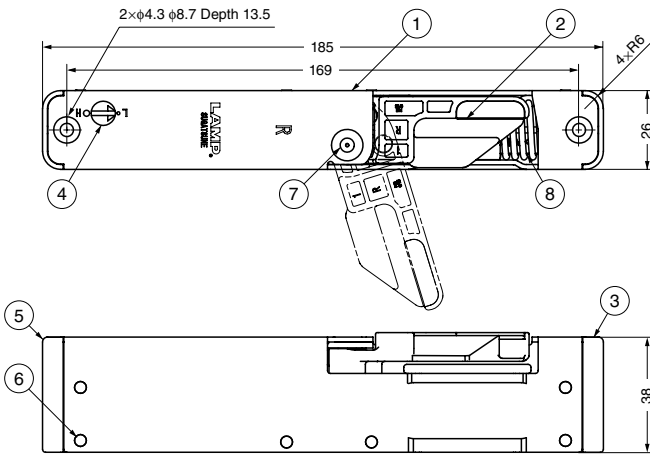
LDD-V



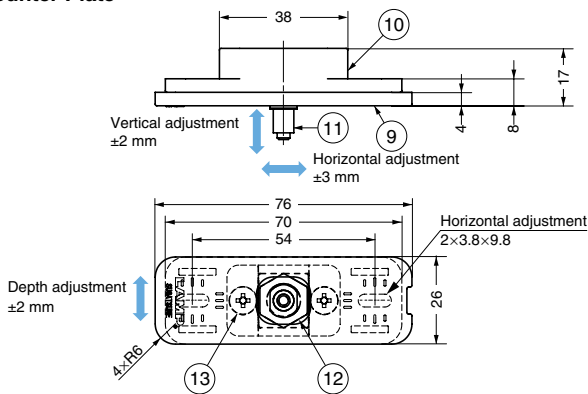
Right-handed



Body



Counter Plate

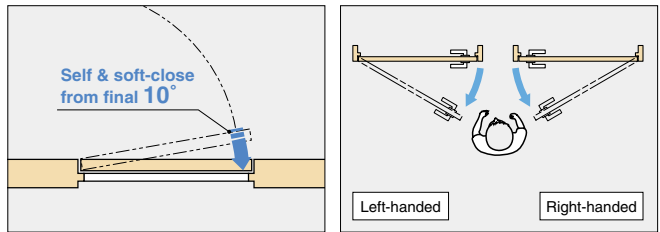


Features

- Concealed type that is hidden from view when door is closed.
- Self and soft-closes within a 10° radius of closing. Closes gently, preventing slamming.
- Doors feel lighter to open compared to standard door closers.
- Closing speed adjustable post-installation.
- Counter plate has 3-way adjustment post-installation.
- 2011 Good Design Award Winner
- Recommended Door Specifications:
Thickness : Min. 33 mm
Width : Max. 900 mm
Weight : 15 - 40 kg
- For doors 40-100kg, please use LDD-V100. Surface mount without mortise type LDD-S also available.
- Successfully passed 100,000 open/close cycles in a private test.
- Recommended hinge: HES3D series (P.470-473)
- Adjustment Jig LDD-V-JIG & Template LDD-V-TMP available (P.719).

Parts Included

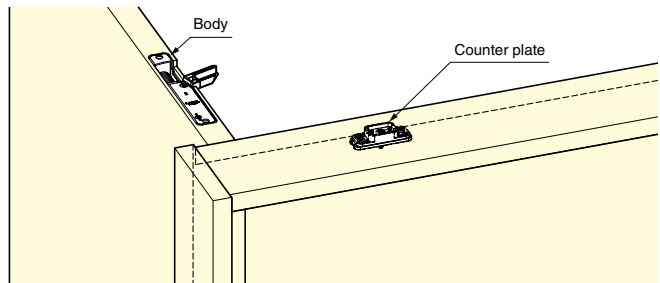
- Binding head tapping screw 4x45
- Binding head tapping screw 3.5x15



Right-handed type shown.

Installation

*Below drawing shows right-handed.



Video Link



No.	Part Name	Material	Finish/Colour
①	Body Case	Steel (SPCC)	Clear Zinc Chromate
②	Arm	Polyacetal (POM)	Grey
③	Spring Base	Polyacetal (POM)	Grey
④	Damper Force Adjustment Shaft	Polyacetal (POM)	Grey
⑤	Damper Base	Polyacetal (POM)	Grey
⑥	Countersunk Hollow Pin	Steel (SWCH)	Clear Zinc Chromate
⑦	Shoulder Shaft	Steel (SUM)	Nickel
⑧	Spring	Steel (SWP)	Clear Zinc Chromate
⑨	Counter Plate Cover	Polyacetal (POM)	Grey
⑩	Counter Plate Case	Polyacetal (POM)	Grey
⑪	Counter Plate Shaft	Steel (SUM)	Nickel
⑫	Vertical Adjustment Screw	Steel (SWRCH)	Clear Zinc Chromate
⑬	Depth Adjustment Screw	Steel (SWCH)	Clear Zinc Chromate

Item Code	Item Name	Type	Door Width	Door Thickness	Door Weight	Weight	Carton
270-017-563	LDD-V-R	Right-handed	Max. 900	Min. 33	15 - 40 kg	427 g	24 pcs
270-017-564	LDD-V-L	Left-handed	Max. 900	Min. 33	15 - 40 kg	427 g	24 pcs

